

NOTES:

1. REFER TO THE TOP LEVEL "ERP" BILL OF MATERIALS FOR ACTUAL ANGLE AND TRACKING ROD PART NUMBERS. SUPPLY A COPY OF THE "ERP" BILL OF MATERIALS AND DRAWINGS OF REQUIRED ANGLES AND TRACKING RODS WITH THIS DOCUMENT. USE THESE DRAWINGS AS WELL AS THE DRAWINGS FOR THE PEDESTAL TO DEFINE ACTUAL DIMENSIONS FOR INSTALLATION.

2 ATTACHMENT OF MODEL 20044 SLIDE TOP ASSEMBLY TO THE TABLE TOP.

A. THE TABLE TOP MUST BE FASTENED TO THE SLIDE TOP ASSEMBLY WITH A MINIMUM OF FOUR AN3 BOLTS (OR EQUIV) IN THE HATCHED AREA SHOWN IN THE TOP VIEW. ADDITIONAL MOUNTING BOLTS ARE RECOMMENDED IN ASSEMBLIES GREATER THAN 15 INCHES IN LENGTH.

B. COMPLIANCE OF THE TABLE TOP TO FEDERAL AVATION REGULATIONS IS THE RESPONSIBILITY OF THE INSTALLER.

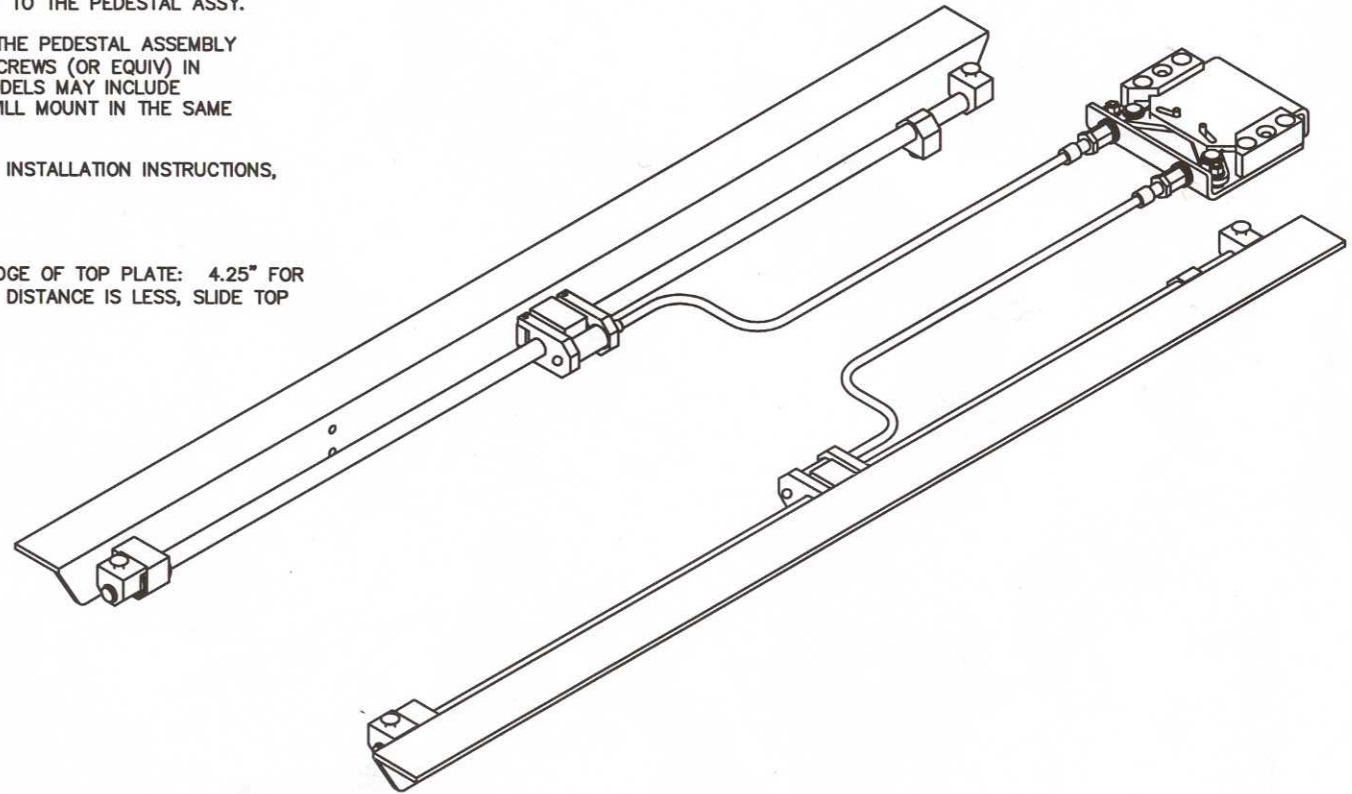
3 ATTACHMENT OF MODEL 20044 SLIDE TOP ASSEMBLY TO THE PEDESTAL ASSY.

THE SLIDE TOP ASSEMBLY MUST BE FASTENED TO THE PEDESTAL ASSEMBLY WITH A MINIMUM OF FOUR NAS517-3 FLAT HEAD SCREWS (OR EQUIV) IN THE LOCATION SHOWN IN THE TOP VIEW. SOME MODELS MAY INCLUDE OPTIONAL SLIDE EXTENSION MOUNT ANGLES THAT WILL MOUNT IN THE SAME LOCATION.

4. REFER TO THE PEDESTAL ASSEMBLY FOR ADDITIONAL INSTALLATION INSTRUCTIONS, LIMITATIONS AND OTHER REQUIREMENTS.

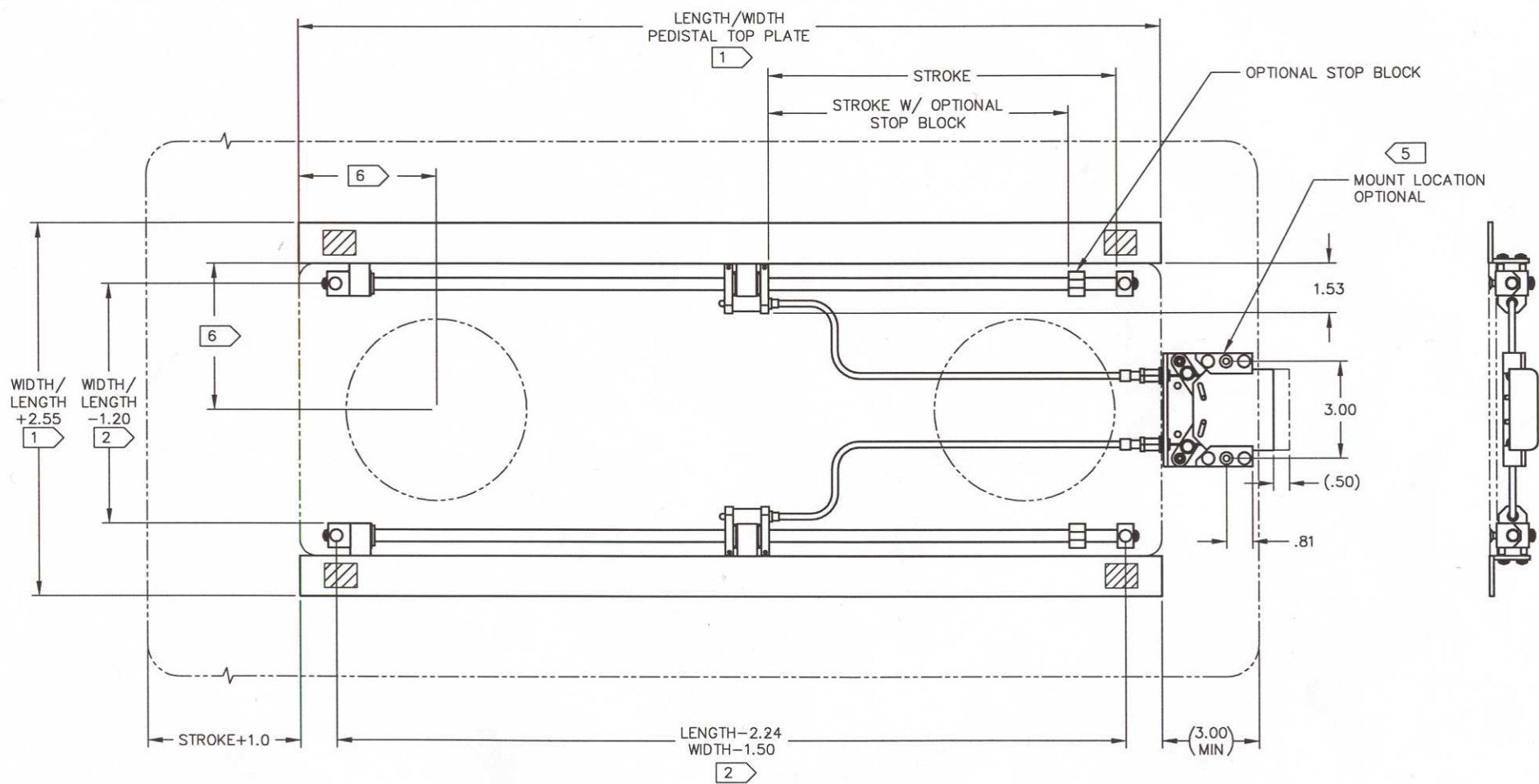
5 ATTACHMENT OF SLIDE TOP HANDLE, OPTIONAL.

5 MINIMUM DISTANCE FROM CENTERLINE OF LEGS TO EDGE OF TOP PLATE: 4.25" FOR A 4" PEDESTAL AND 4.75" FOR A 5" PEDESTAL. IF DISTANCE IS LESS, SLIDE TOP WILL NOT OPERATE PROPERLY.



REVISIONS				
LTR	DESCRIPTION	REV BY	APPROVED	DATE
A	INITIAL RELEASE	RAB	KET	11/13/01
B	SEE ECO N20044B	RAB	KET	5/28/02

<p style="font-size: 2em; color: blue; font-family: cursive;">Released</p>	DRAWN RAB 11/05/01	<p style="font-size: 0.8em;">Austin, Texas</p>
	FINISH: N/A	
INSPECTION CLASS  UNLESS OTHERWISE SPECIFIED TOLERANCES: DECIMAL .XX ± .01      ANGULAR ± 1° .XXX ± .005	MATERIAL: N/A	TITLE INSTALLATION SLIDE TOP ASSEMBLY
DIMENSIONS ARE IN INCHES ALL MACHINED SURFACES $\sqrt{\text{V}}$ DO NOT SCALE DRAWING REMOVE ALL BURRS & SHARP EDGES .010-.015	The data, concepts or designs contained herein are the exclusive property of Enflite, Inc. or contain the proprietary rights of others and shall not be used, disclosed, copied, duplicated or reproduced without the written consent of Enflite, Inc.	SIZE A      DWG NO. N20044      REV. B
SCALE NONE      CAD FILE 20044-XX-J-B      SHEET 1 OF 2		



SIZE A	DWG NO. N20044	REV. B
SCALE NONE	CAD FILE 20044-XX-J-B	SHEET 2 OF 2