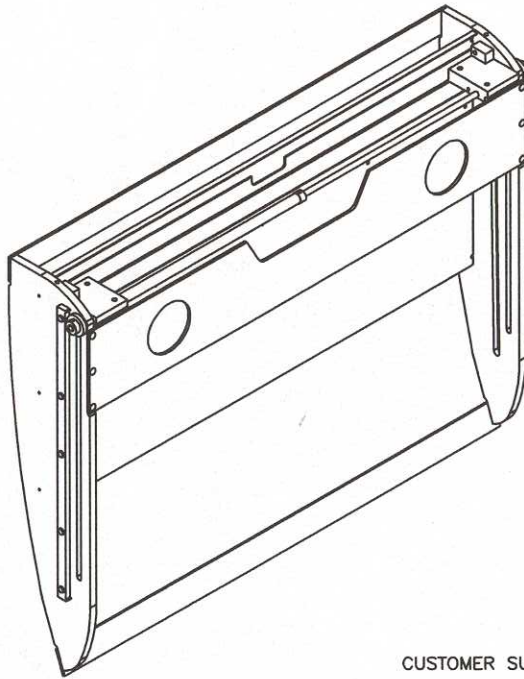


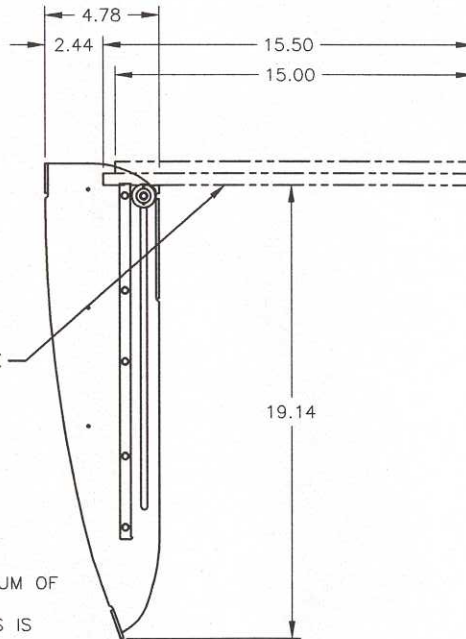
NOTES:

- FOR ADDITIONAL INFORMATION REFER TO THE OPERATION MANUAL: M22165

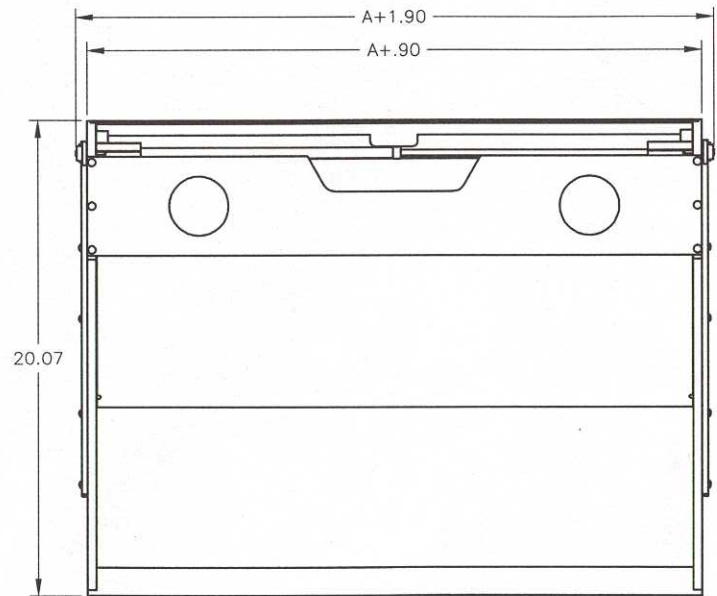
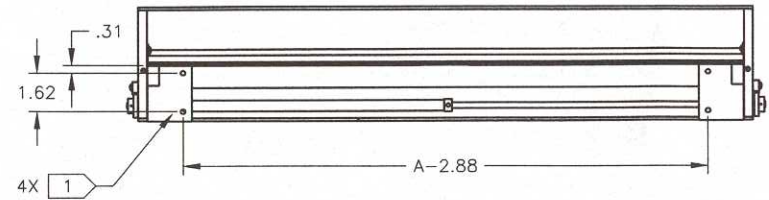
REVISIONS			
LTR	DESCRIPTION	BY	DATE
A	INITIAL RELEASE		
B	SEE DRN N22188B	RAB	06/11/99



CUSTOMER SUPPLIED TABLE



SIDE VIEW



FRONT VIEW

NOTES:

1 ATTACHMENT OF THE TABLE TOP TO THE MODEL 22188 MECHANISM

- THE TABLE TOP MUST BE FASTENED TO THE MECHANISM WITH A MINIMUM OF 4 NAS603 SCREWS AS SHOWN IN THE TOP VIEW
- THE COMPLIANCE OF THE TABLETOP TO FEDERAL AVIATION REGULATIONS IS THE RESPONSIBILITY OF THE INSTALLER.

2) ATTACHMENT OF THE MODEL 22188 TO THE AIRCRAFT;

- MECHANISM MUST BE FASTENED TO THE AIRCRAFT STRUCTURE WITH A MINIMUM OF 4 NAS603 SCREWS. FASTENERS SHOULD NOT INTERFERE WITH THE OPERATION OF MECHANISM.
- STRUCTURAL SUBSTANTIATION OF THE AIRCRAFT STRUCTURE IS THE RESPONSIBILITY OF THE INSTALLER.
- COMPLIANCE TO APPLICABLE FEDERAL AVIATION REGULATIONS REGARDING AISLE CLEARANCE REQUIREMENTS IS THE RESPONSIBILITY OF THE INSTALLER.

3) DESIGN LOADS OF THE MODEL 22188 MECHANISM.

THE MECHANISM CAN SUPPORT 175 LBS. ULTIMATE APPLIED AT 9 INCHES FROM THE OUTBOARD EDGE OF THE TABLETOP.

CONVERT ULTIMATE LOAD TO AN ALLOWABLE TABLETOP WEIGHT AND ITEMS WITH THE FORMULA BELOW.

$$(WEIGHT OF ITEMS + WEIGHT OF TABLE TOP) \times ULTIMATE LOAD FACTOR \leq 175$$

A = DASH NUMBER (WIDTH OF TABLE)

<p><i>Released</i> <i>6/13/99</i></p>	<p><b>DRAWN</b> RAB 04/08/99</p>	 2507 West Howard Lane Austin, Texas 78758 512 368-9994							
	<p><b>FINISH:</b> N/A</p>			<p><b>MATERIAL:</b> N/A</p>					
<p>UNLESS OTHERWISE SPECIFIED TOLERANCES:</p> <table border="0"> <tr> <td>DECIMAL</td> <td>ANGULAR</td> </tr> <tr> <td>.XX ± .01</td> <td>± 1°</td> </tr> <tr> <td>.XXX ± .005</td> <td></td> </tr> </table>		DECIMAL	ANGULAR	.XX ± .01	± 1°	.XXX ± .005		<p><b>TITLE</b> INSTALLATION 22188 SIDE WALL TABLE</p>	
DECIMAL	ANGULAR								
.XX ± .01	± 1°								
.XXX ± .005									
<p>DIMENSIONS ARE IN INCHES ALL MACHINED SURFACES <math>\sqrt{R}</math> DO NOT SCALE DRAWING REMOVE ALL BURRS &amp; SHARP EDGES .010-.015</p>									
<p><i>The data, concepts or designs contained herein are the exclusive property of Enlite, Inc. or contain the proprietary rights of others and shall not be used, disclosed, copied, duplicated or reproduced without the written consent of Enlite, Inc.</i></p>		<p><b>SIZE</b> C</p>	<p><b>DWG NO.</b> N22188</p>	<p><b>REV.</b> B</p>					
<p>SCALE NONE</p>		<p><b>CAD FILE</b> 22188-XX-B-B</p>	<p><b>SHEET</b> 1 <b>OF</b> 1</p>						