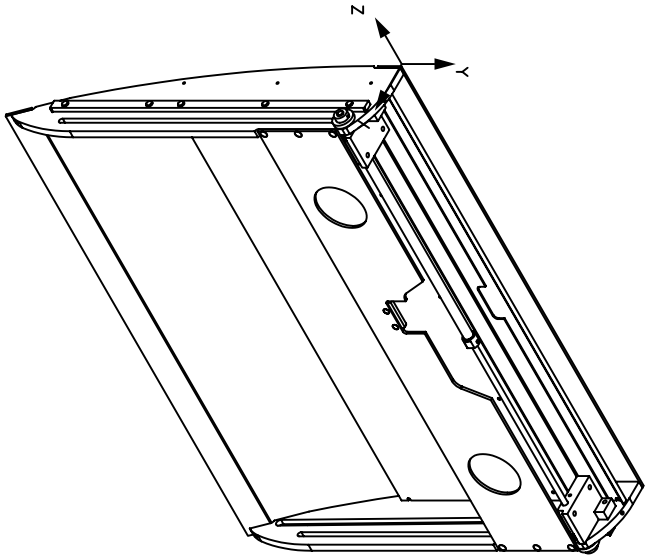


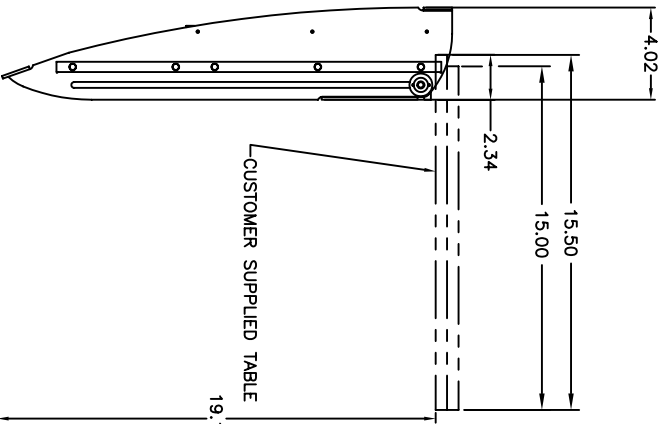
NOTES:  
 1. FOR ADDITIONAL INFORMATION REFER TO THE OPERATION MANUAL: M22165



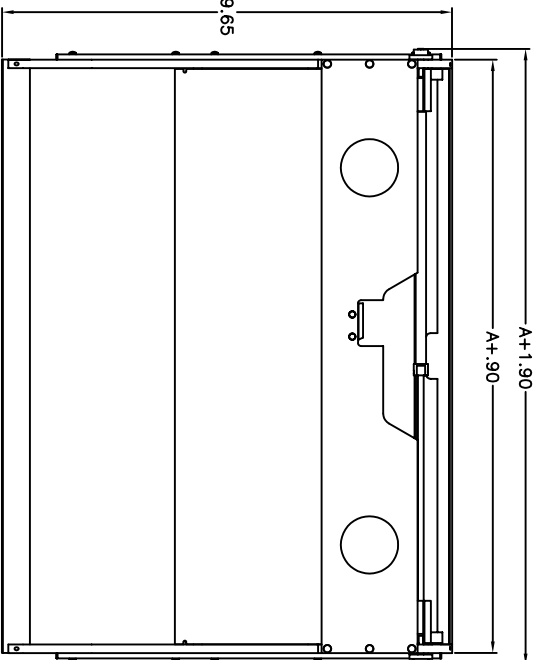
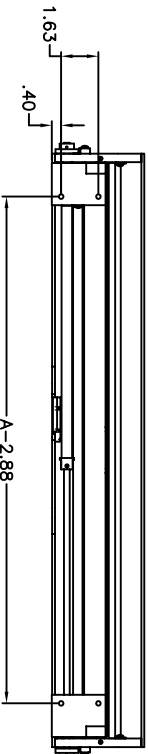
NOTES:  
 TABLE TOP INFORMATION  
 A) THE COMPLIANCE OF THE INSTALLATION OF THE TABLE TOP TO FEDERAL REGULATIONS IS THE RESPONSIBILITY OF THE INSTALLER.  
 B) THE SIZE AND LOCATION OF THE TABLE TOP MOUNTING HOLES ARE AS INDICATED.

AIRCRAFT ATTACHMENT INFORMATION  
 A) STRUCTURAL SUBSTANTIATION OF THE AIRCRAFT STRUCTURE IS THE RESPONSIBILITY OF THE INSTALLER.  
 B) FASTENERS MUST NOT INTERFERE WITH THE OPERATION OF THE MECHANISM.  
 C) COMPLIANCE TO APPLICABLE FEDERAL AVIATION REGULATIONS REGARDING AISLE CLEARANCE REQUIREMENTS IS THE RESPONSIBILITY OF THE INSTALLER.

MECHANICAL INFORMATION  
 A) WEIGHT OF THE MECHANISM - 8.42 LBS FOR A -25 TABLE (±.14 LB PER INCH)  
 B) THE LOCATION OF THE CENTER OF GRAVITY IN THE STOWED POSITION IS AT X=2.40, Y=-8.77. THE CENTER OF GRAVITY IN THE DEPLOYED POSITION IS LOCATED AT X=2.36, Y=-6.32. Z IS APPROX AT THE GEOMETRIC CENTER.  
 C) THE MECHANISM CAN SUPPORT AN ULTIMATE LOAD OF 277 LBS. APPLIED 10.85 INCHES FROM THE INBOARD FACE OF THE SIDEPLATES AND CENTERED ON THE A DIMENSION. SEE STRESS REPORT R22165. CONVERT ULTIMATE LOAD TO AN ALLOWABLE TABLE TOP WEIGHT WITH THE FOLLOWING FORMULA:  
 (WEIGHT OF ITEMS + WEIGHT OF TABLE TOP) X ULTIMATE LOAD FACTOR MUST BE LESS THAN OR EQUAL TO 277 LBS.  
 E) SEE OPERATION MANUAL M22165 FOR ADDITIONAL INFORMATION ON MECHANISM OPERATION AND MAINTENANCE.



SIDE VIEW



FRONT VIEW

A = DASH NUMBER (WIDTH OF TABLE)

REVISIONS		DESCRIPTION	REV BY	APPROVED	DATE
LTR	A	INITIAL RELEASE	THH		04/13/01
	B	SEE ECO N2218871	WHC		

INSPECTION CLASS C

UNLESS OTHERWISE SPECIFIED  
 DECIMAL .XX ± .01  
 .XXX ± .005  
 ANGULAR ± 1°

DIMENSIONS ARE IN INCHES  
 ALL MACHINED SURFACES  
 DO NOT SCALE DRAWING  
 REMOVE ALL BURRS & SHARP EDGES .010-.015

DRAWN RAB 3/15/04

FINISH: N/A  
 MATERIAL: N/A

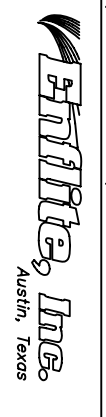
The data, concepts or designs contained herein are the exclusive property of Emille, Inc. and shall not be used, disclosed, copied, duplicated or reproduced without the written consent of Emille, Inc.

SCALE NONE

SIZE A  
 DWG NO. N2218871

QAO FILE 2218871-XX-B-B

SHEET 1 OF 1



TITLE INSTALLATION DRAWING  
 SIDE WALL TABLE