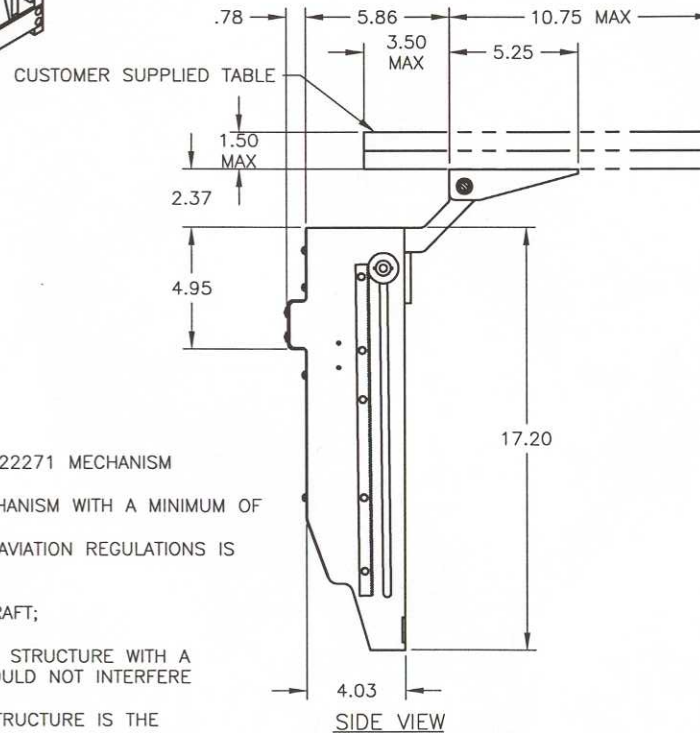
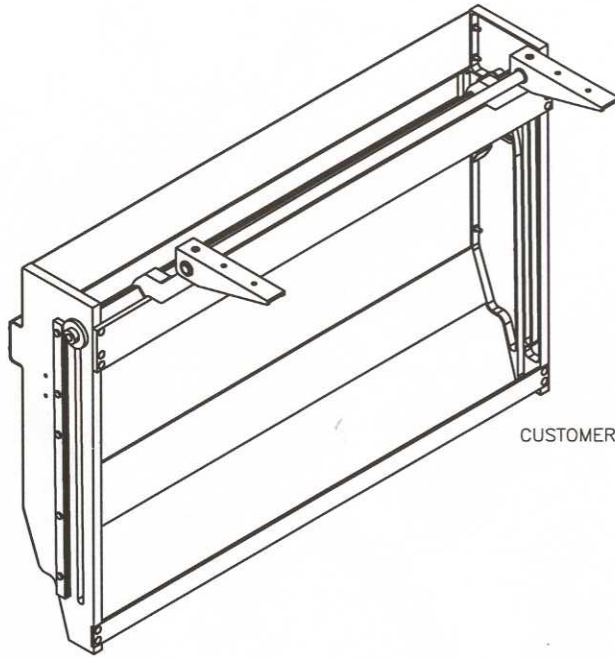
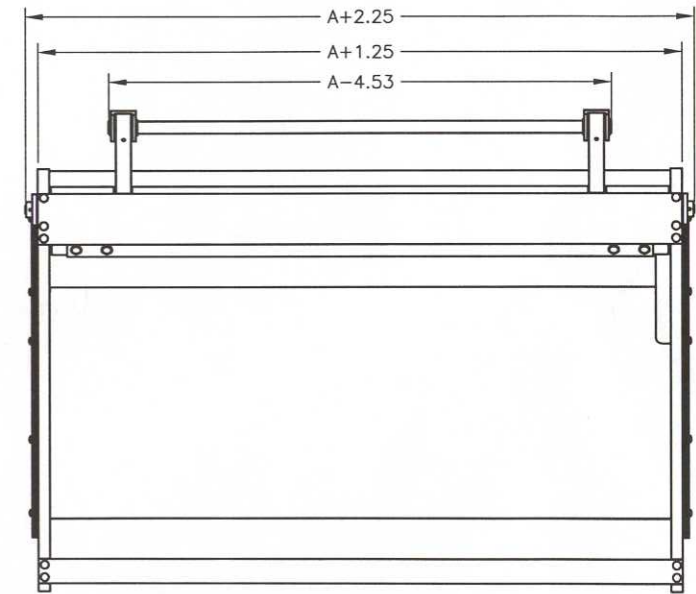
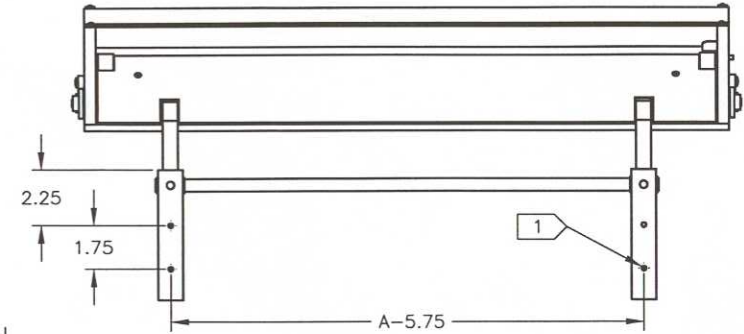


NOTES:

- FOR ADDITIONAL INFORMATION REFER TO THE OPERATION MANUAL: M22500



REVISIONS				
LTR	DESCRIPTION	REV BY	APPROVED	DATE
A	INITIAL RELEASE	DKF		
B	SEE DRN N22271B	RAB		3/18/99
C	SEE DRN N22271C	RAB		6/21/99
D	SEE ECO N22271D	DAZ	<i>KST</i>	9/20/01



FRONT VIEW

A = DASH NUMBER (WIDTH OF TABLE)

NOTES:

- ATTACHMENT OF THE TABLE TOP TO THE MODEL 22271 MECHANISM
 - THE TABLE TOP MUST BE FASTENED TO THE MECHANISM WITH A MINIMUM OF 4 NAS603 SCREWS AS SHOWN IN THE TOP VIEW
 - THE COMPLIANCE OF THE TABLETOP TO FEDERAL AVIATION REGULATIONS IS THE RESPONSIBILITY OF THE INSTALLER.
- ATTACHMENT OF THE MODEL 22271 TO THE AIRCRAFT;
 - MECHANISM MUST BE FASTENED TO THE AIRCRAFT STRUCTURE WITH A MINIMUM OF 4 NAS603 SCREWS. FASTENERS SHOULD NOT INTERFERE WITH THE OPERATION OF MECHANISM.
 - STRUCTURAL SUBSTANTIATION OF THE AIRCRAFT STRUCTURE IS THE RESPONSIBILITY OF THE INSTALLER.
 - COMPLIANCE TO APPLICABLE FEDERAL AVIATION REGULATIONS REGARDING AISLE CLEARANCE REQUIREMENTS IS THE RESPONSIBILITY OF THE INSTALLER.
- DESIGN LOADS OF THE MODEL 22271 MECHANISM.

THE MECHANISM CAN SUPPORT 236 LBS. ULTIMATE APPLIED AT 13 INCHES FROM THE INBOARD EDGE OF THE MECHANISM.

CONVERT ULTIMATE LOAD TO AN ALLOWABLE TABLETOP WEIGHT AND ITEMS WITH THE FORMULA BELOW.

$$(WEIGHT OF ITEMS + WEIGHT OF TABLE TOP) \times ULTIMATE LOAD FACTOR \leq 236 \text{ LBS}$$

<i>Released</i>	DRAWN	DFK 11/13/97	Enlite, Inc. Austin, Texas		
	FINISH:	N/A			
INSPECTION CLASS	A		TITLE INSTALLATION 22271 SIDEWALL TABLE		
UNLESS OTHERWISE SPECIFIED TOLERANCES:					
DECIMAL	.XX ± .01	ANGULAR	MATERIAL: N/A		
	.XXX ± .005	± 1°			
DIMENSIONS ARE IN INCHES			SCALE		
ALL MACHINED SURFACES $\sqrt{\text{V}}$					
DO NOT SCALE DRAWING			SIZE	DWG NO.	REV.
REMOVE ALL BURRS & SHARP EDGES .010-.015			A	N22271	D
The data, concepts or designs contained herein are the exclusive property of Enlite, Inc. or contain the proprietary rights of others and shall not be used, disclosed, copied, duplicated or reproduced without the written consent of Enlite, Inc.			SCALE	CAD FILE	SHEET
			NONE	22271-XX-D	1 OF 1