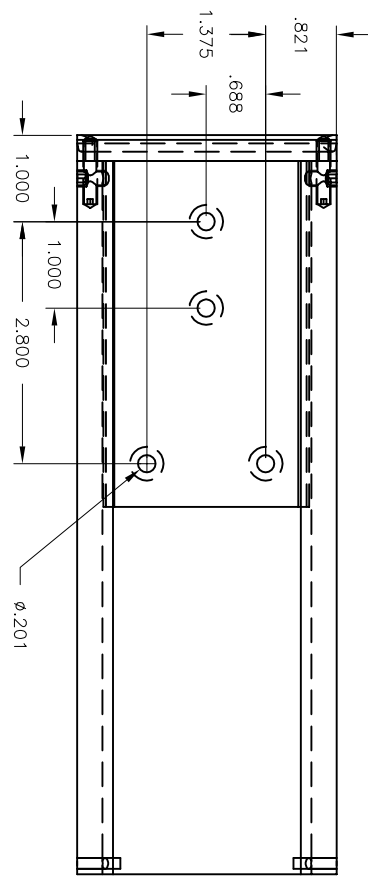
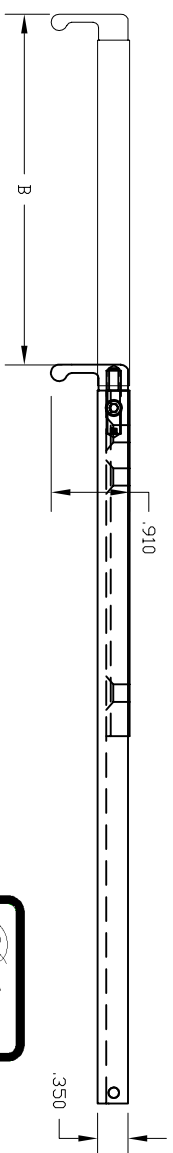
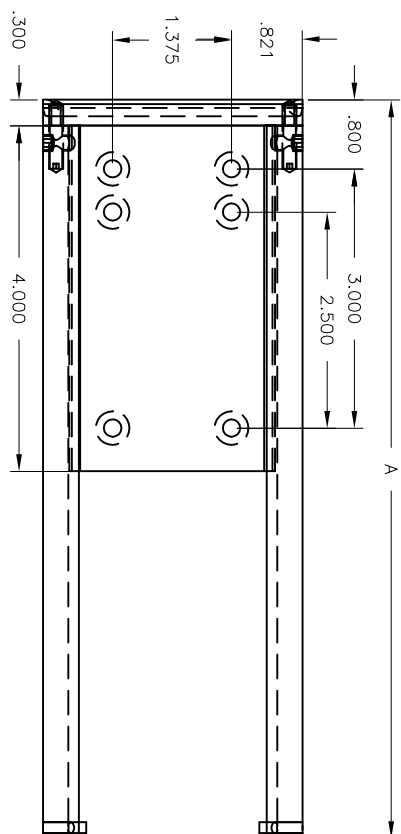


REVISIONS				
LTR	DESCRIPTION	REV BY	APPROVED	DATE
A	INITIAL RELEASE	RRB		
B	SEE ECO N22400B	BJH	KET	6/19/02
C	SEE ECO N22400C	BJH	KET	6/6/03
D	SEE ECO N22400D	THH	KPW	3/31/04

-03, -05,
AND -06



-02, -07



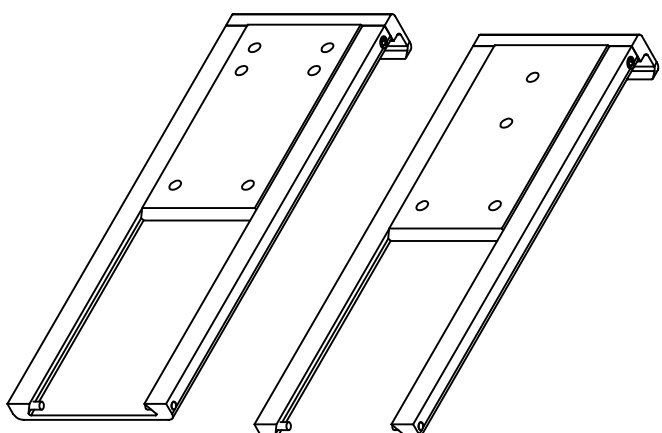
1 ATTACHMENT OF THE MODEL 22400 MECHANISM

- A THE MECHANISM MUST BE FASTENED TO THE TABLE TOP WITH AT LEAST FOUR FLAT HEAD SCREWS AS SHOWN IN THE TOP VIEW.
- B THE COMPLIANCE OF THE TABLE TOP TO FEDERAL AVIATION REGULATIONS IS THE RESPONSIBILITY OF THE INSTALLER.
- C CENTER HANDLE MOUNTING PLATE ON THE BOTTOM SIDE OF TABLE TOP AND MOUNT WITH 4-6 EACH #10 FLAT HEAD SCREWS AT THE DIMENSIONS SHOWN.

- 2. DESIGN LOAD FACTORS
 - A THE FOLLOWING LOAD IS USED IN CONSIDERING THE STRUCTURAL INTEGRITY OF THE MECHANISM:
40LBS LIMIT IN ANY DIRECTION
60LBS ULTIMATE IN ANY DIRECTION



DASH #	DIM A	DIM B
-02	8.55	4.06
-03	8.55	4.06
-05	10.05	5.56
-06	9.55	5.06
-07	7.55	3.06



INSPECTION CLASS		A	
UNLESS OTHERWISE SPECIFIED TOLERANCES:		ANGULAR ± 1°	
DECIMAL .01		ANGULAR ± 1°	
XXX ± .005		ANGULAR ± 1°	
DIMENSIONS ARE IN INCHES			
ALL MACHINED SURFACES			
DO NOT SCALE DRAWING			
REMOVE ALL BURRS & SHARP EDGES .010-.015			
DRAWN	RRB	DATE	1/26/99
FINISH:	N/A		
MATERIAL:	N/A		
<small>The data, concepts or designs contained herein are the exclusive property of Entitec, Inc. or contain the proprietary rights of others and shall not be used, disclosed, copied, reproduced or disseminated without the written consent of Entitec, Inc.</small>			
TITLE		SIZE	REV.
INSTALLATION		A	D
SLIDE HANDLE ASSY.		DWG NO.	N22400
SCALE		CAD FILE	22400-XX-H-D
NONE		SHEET	1 OF 1

