

NOTES:

1 TABLE TOP INFORMATION

- A) THE COMPLIANCE OF THE INSTALLATION OF THE TABLE TOP TO FEDERAL AVIATION REGULATIONS IS THE RESPONSIBILITY OF THE INSTALLER.
- B) THE SIZE AND LOCATION OF THE TABLE TOP MOUNTING HOLES ARE AS INDICATED.

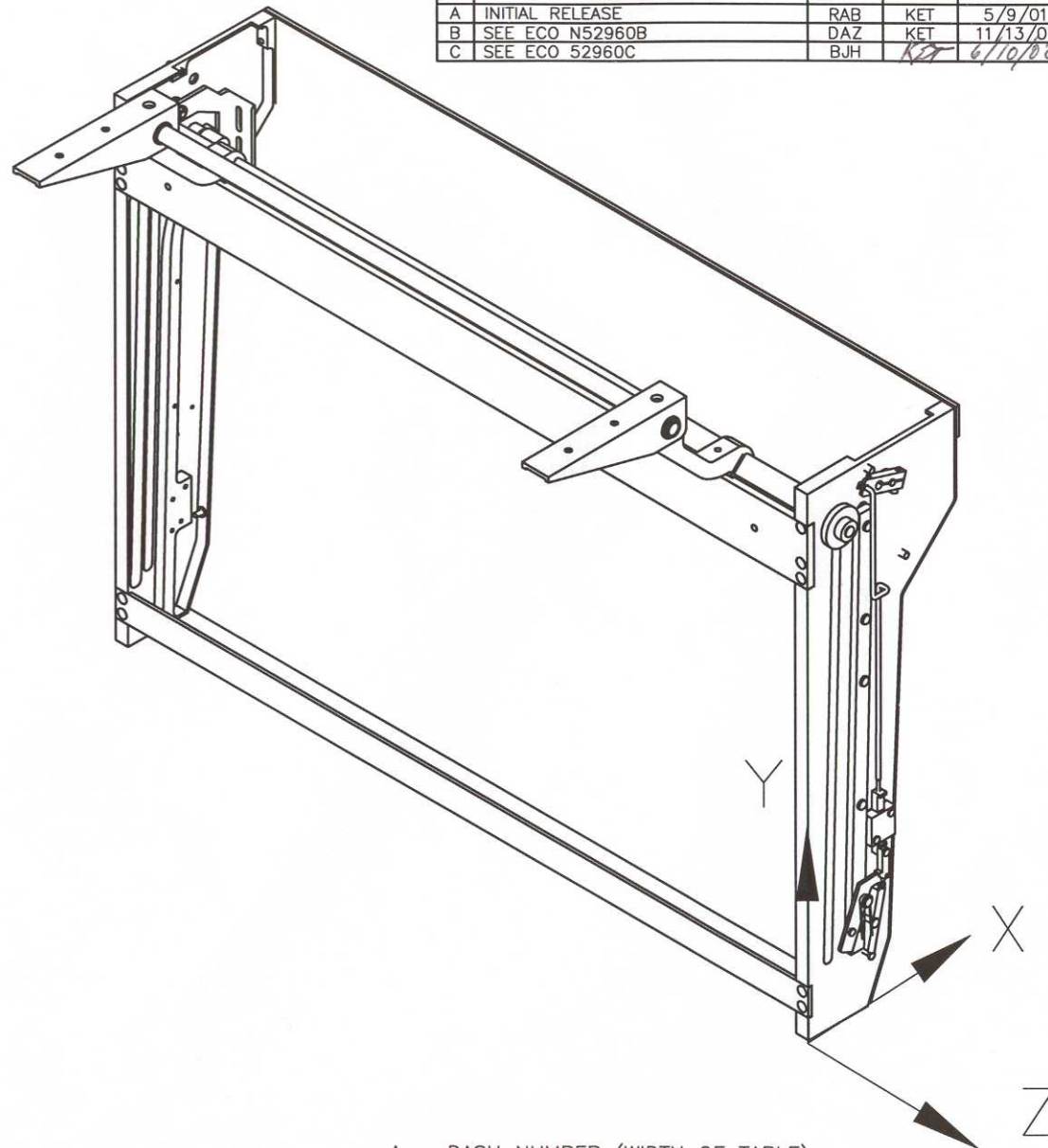
2 AIRCRAFT ATTACHMENT INFORMATION

- A) STRUCTURAL SUBSTANTIATION OF THE AIRCRAFT STRUCTURE IS THE RESPONSIBILITY OF THE INSTALLER.
- B) FASTENERS MUST NOT INTERFERE WITH THE OPERATION OF THE MECHANISM. HATCHED AREA DEPICTS PREFERRED FASTENER LOCATION.
- C) COMPLIANCE TO APPLICABLE FEDERAL AVIATION REGULATIONS REGARDING AISLE CLEARANCE REQUIREMENTS IS THE RESPONSIBILITY OF THE INSTALLER.

3 MECHANICAL INFORMATION

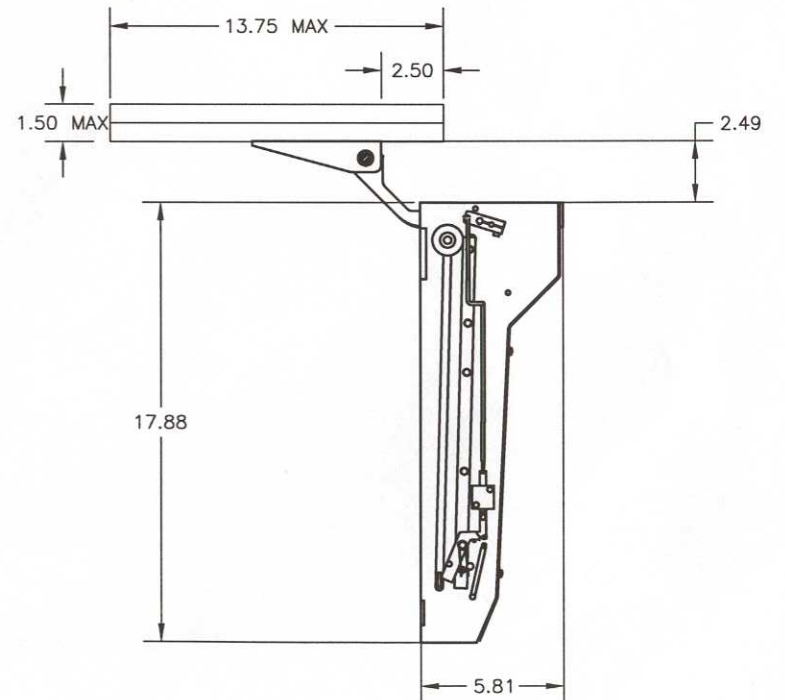
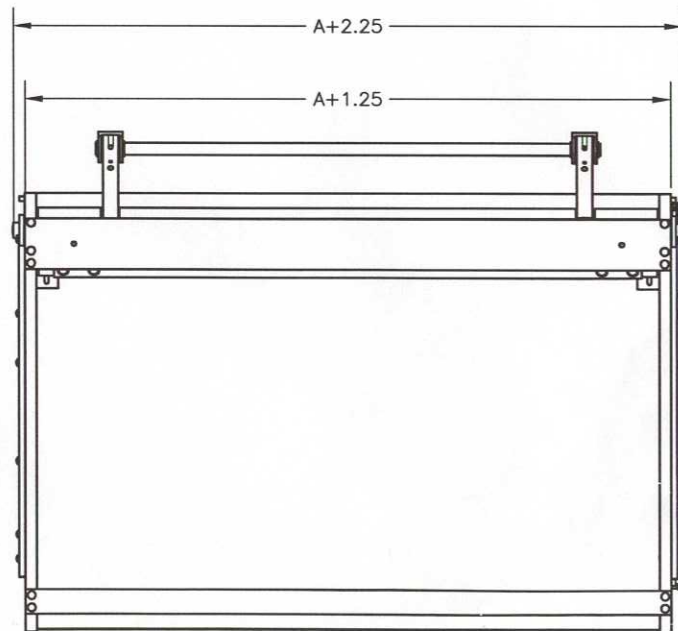
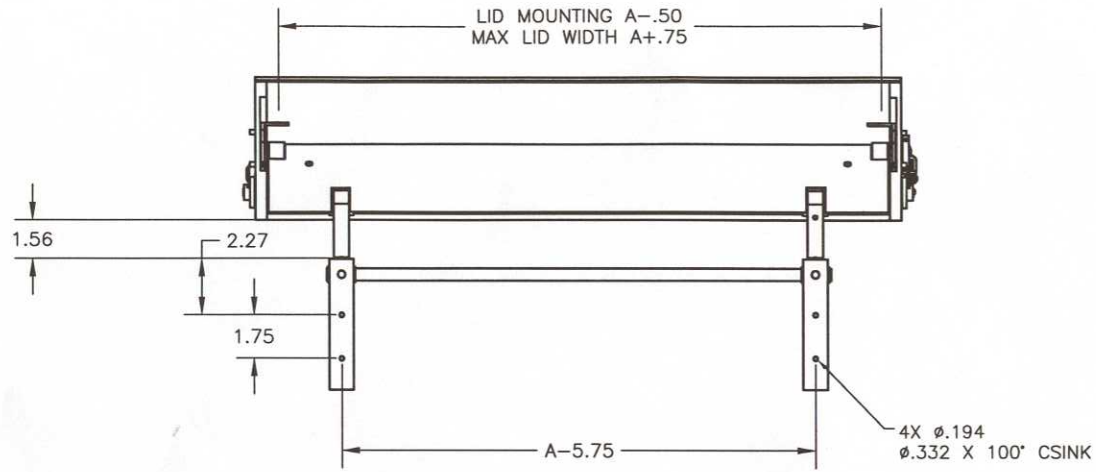
- A) WEIGHT OF MECHANISM: 12.366 LBS FOR 25" TABLE, ±.157 LBS PER INCH
- B) THE CENTER OF GRAVITY WHEN DEPLOYED IS X= 1.64, Y= 13.01 WHEN STOWED IS X=1.75, Y= 7.59 WITH Z BEING THE GEOMETRIC CENTER OF THE TABLE.
- C) ON A RIGID SUPPORT, WITH A RIGID TABLETOP, THE END OF THE TABLE WILL DEFLECT 1.88" WHEN A LOAD OF 100 LBS IS APPLIED AS INDICATED. SEE TEST REPORT "Q52900".
- D) THE MECHANISM CAN SUPPORT 236 LBS ULTIMATE APPLIED 13 INCHES FROM THE INBOARD EDGE OF THE MECHANISM. SEE STRESS REPORT "R22250". CONVERT ULTIMATE LOAD TO AN ALLOWABLE TABLE TOP WEIGHT AND ITEMS WITH THE FOLLOWING FORMULA:  
 $(\text{WEIGHT OF ITEMS} + \text{WEIGHT OF TABLE TOP}) \times \text{ULTIMATE LOAD FACTOR} \leq 236$   
 SEE OPERATION MANUAL "M22500" FOR ADDITIONAL INFORMATION ON MECHANISM OPERATION AND MAINTENANCE.

REVISIONS				
LTR	DESCRIPTION	REV BY	APPROVED	DATE
A	INITIAL RELEASE	RAB	KET	5/9/01
B	SEE ECO N52960B	DAZ	KET	11/13/01
C	SEE ECO 52960C	BJH	<i>[Signature]</i>	6/10/02



A = DASH NUMBER. (WIDTH OF TABLE)

<i>Released</i>	DRAWN RAB 05/01/01	<b>Enlite, Inc.</b> Austin, Texas	
	FINISH: N/A		
INSPECTION CLASS	MATERIAL: N/A	TITLE INSTALLATION, 52960 SIDE WALL TABLE W/ SELF LATCH	
UNLESS OTHERWISE SPECIFIED TOLERANCES: DECIMAL .XX ± .01 .XXX ± .005 ANGULAR ± 1°	The data, concepts or designs contained herein are the exclusive property of Enlite, Inc. or contain the proprietary rights of others and shall not be used, disclosed, copied, duplicated or reproduced without the written consent of Enlite, Inc.		REV. C
DIMENSIONS ARE IN INCHES ALL MACHINED SURFACES $\sqrt{\text{R}}$ DO NOT SCALE DRAWING REMOVE ALL BURRS & SHARP EDGES .010-.015	SIZE A	DWG NO. N52960	
	SCALE NONE	CAD FILE 52960-XX-D-C	SHEET 1 OF 2



A = DASH NUMBER (WIDTH OF TABLE)

SIZE A	DWG NO. N52960	REV. C
SCALE NONE	CAD FILE 52960-XX-D-C	SHEET 2 OF 2