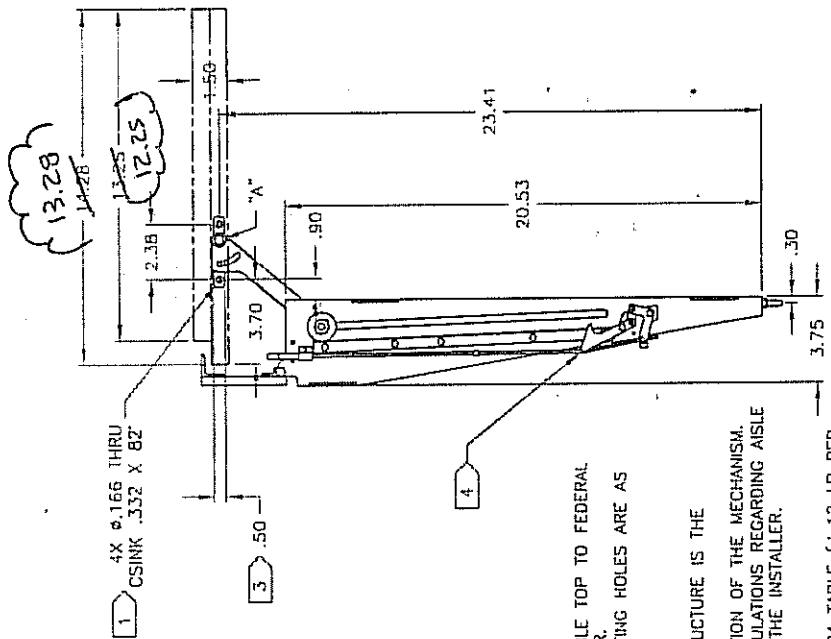
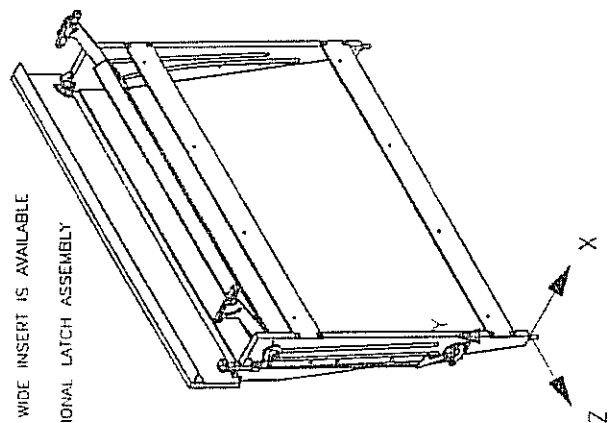


302-1044

- NOTES:
- FOR ADDITIONAL INFORMATION REFER TO THE OPERATION MANUAL: M53100
  - A = DASH NUMBER (WIDTH OF TABLE)

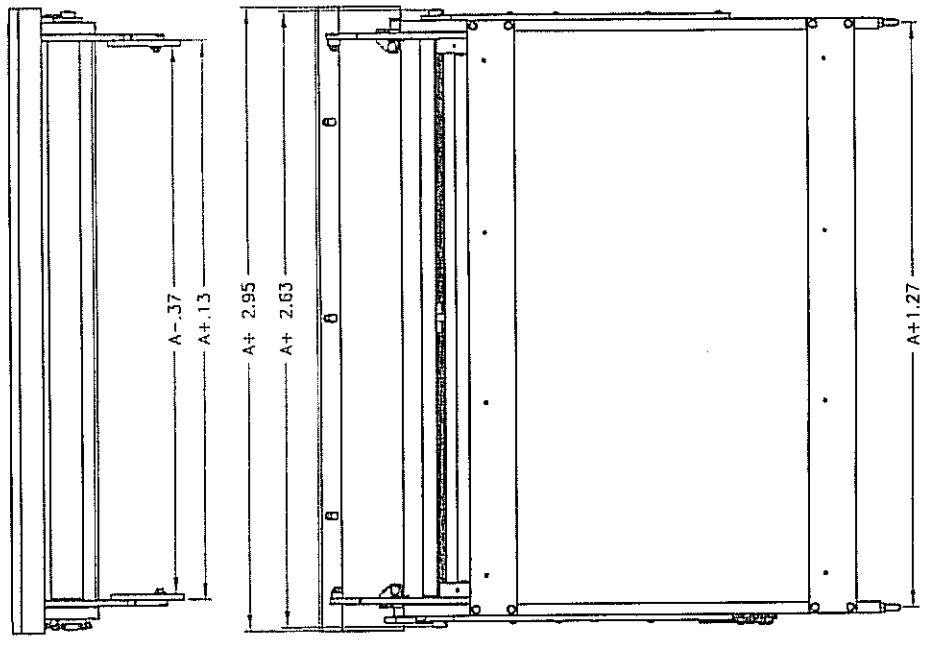
- .70 WIDE INSERT IS AVAILABLE
- OPTIONAL LATCH ASSEMBLY



- 1
- NOTES:
- TABLE TOP INFORMATION
- THE COMPLIANCE OF THE INSTALLATION OF THE TABLE TOP TO FEDERAL REGULATIONS IS THE RESPONSIBILITY OF THE INSTALLER.
  - THE SIZE AND LOCATION OF THE TABLE TOP MOUNTING HOLES ARE AS INDICATED.
- AIRCRAFT ATTACHMENT INFORMATION
- STRUCTURAL SUBSTANTIATION OF THE AIRCRAFT STRUCTURE IS THE RESPONSIBILITY OF THE INSTALLER.
  - FASTENERS MUST NOT INTERFERE WITH THE OPERATION OF THE MECHANISM.
  - COMPLIANCE TO APPLICABLE FEDERAL AVIATION REGULATIONS REGARDING AISLE CLEARANCE REQUIREMENTS IS THE RESPONSIBILITY OF THE INSTALLER.
- MECHANICAL INFORMATION
- WEIGHT OF THE MECHANISM - 9.94 LBS FOR A -24 TABLE ( $\pm .12$  LB PER INCH)
  - THE LOCATION OF THE CENTER OF GRAVITY IN THE STOWED POSITION IS AT  $X = -1.47$ ,  $Y = 11.87$ , THE CENTER OF GRAVITY IN THE DEPLOYED POSITION IS LOCATED AT  $X = -1.61$ ,  $Y = 15.27$ . Z IS APPROX AT THE GEOMETRIC CENTER.
  - THE MECHANISM CAN SUPPORT AN ULTIMATE LOAD OF 140 LBS APPLIED 10 INCHES FROM POINT "A" AND CENTERED ON THE A DIMENSION. SEE STRESS REPORT R53100.
- CONVERT ULTIMATE LOAD TO AN ALLOWABLE TABLE TOP WEIGHT WITH THE FOLLOWING FORMULA:
- (WEIGHT OF ITEMS + WEIGHT OF TABLE TOP) X ULTIMATE LOAD FACTOR MUST BE LESS THAN OR EQUAL TO 140 LBS.
- SEE OPERATION MANUAL M53100 FOR ADDITIONAL INFORMATION ON MECHANISM OPERATION AND MAINTENANCE.

| REV | DESCRIPTION     | REV DT | APPROVED | DATE     |
|-----|-----------------|--------|----------|----------|
| A   | INITIAL RELEASE |        |          |          |
| B   | SEE 53100B      | RAB    | KPW      | 5/25/99  |
| C   | SEE ECO 53100C  | BJH    | KET      | 8/30/01  |
| D   | SEE ECO 53100D  | BJH    | AKT      | 10/16/02 |

E SEE ECO M53100E (RAW 531105)



|   |  |
|---|--|
| <p>DRAWN DFK 8/20/98</p> <p>FRESH N/A</p>   | <p>ENTITE, Inc.</p> <p>Austin, Texas</p>   |
| <p>MATERIALS N/A</p>  | <p>TITLE INSTALLATION DRAWING</p> <p>53100</p>   |
| <p>INSPECTION CLASS A</p> <p>UNLESS OTHERWISE SPECIFIED:</p> <p>DECIMAL TOLERANCES: .01</p> <p>FRACTIONAL TOLERANCES: 1/16</p> <p>DIMENSIONS ARE IN INCHES</p> <p>ALL MACHINED SURFACES</p> <p>DO NOT SCALE DRAWING.</p> <p>REMOVE ALL BURRS &amp; SHARP EDGES: 910-015</p> | <p>SIZE A</p> <p>DWG NO. N53100</p> <p>REV. 8</p> <p>SCALE NONE</p> <p>JOB FILE 53100-XX-J-D</p> <p>SHEET 1 OF 1</p> |