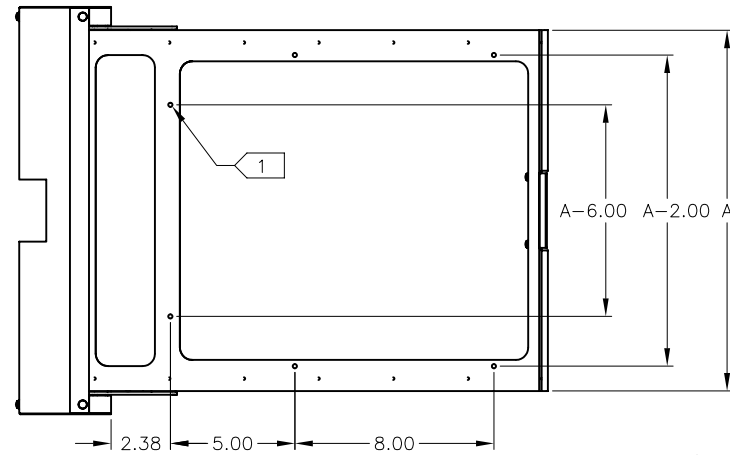
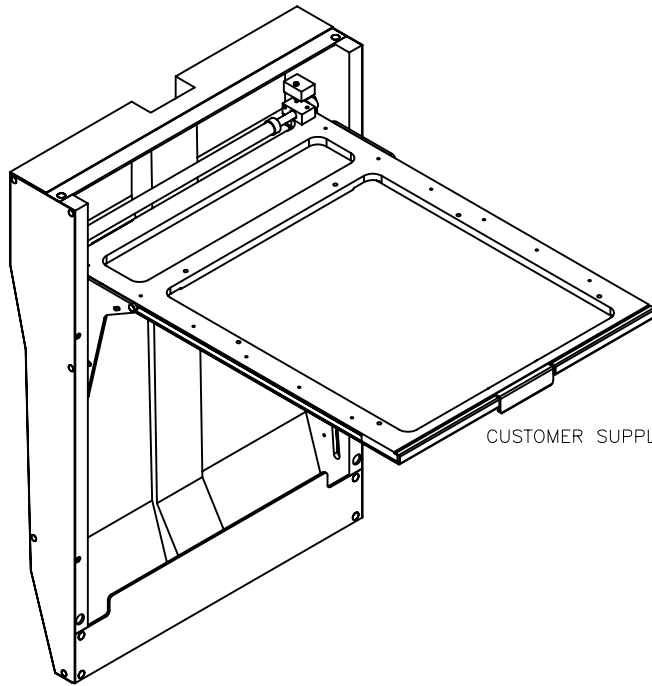


NOTES:

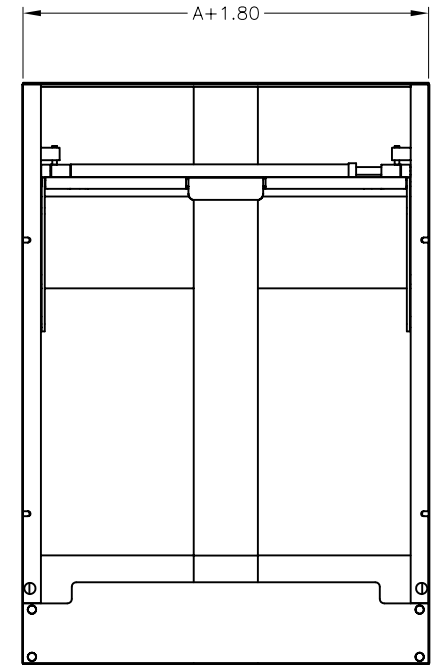
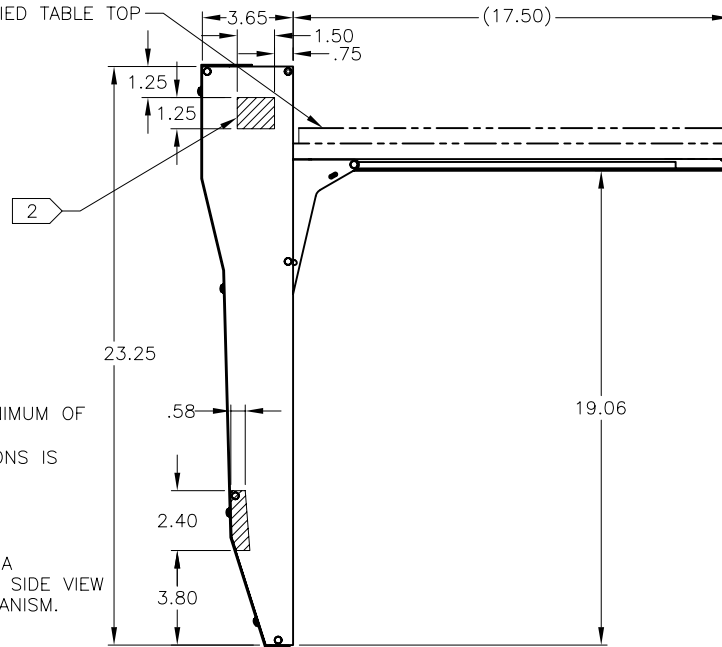
- FOR ADDITIONAL INFORMATION REFER TO THE OPERATION MANUAL: M53500
STRESS REPORT: R53500



REVISIONS				
LTR	DESCRIPTION	REV BY	APPROVED	DATE
A	INITIAL RELEASE			
H	SEE ECO N53600H	KET	KPW	9/30/02
J	SEE ECO N53600J	KPE	VHT	12/01/05



CUSTOMER SUPPLIED TABLE TOP



NOTES:

- ATTACHMENT OF THE TABLE TOP TO THE MODEL 53600 MECHANISM
 - THE TABLE TOP MUST BE FASTENED TO THE MECHANISM WITH A MINIMUM OF 4 NAS603 SCREWS IN THE AREA SHOWN IN THE TOP VIEW
 - THE COMPLIANCE OF THE TABLETOP TO FEDERAL AVIATION REGULATIONS IS THE RESPONSIBILITY OF THE INSTALLER.
- ATTACHMENT OF THE MODEL 53600 TO THE AIRCRAFT;
 - MECHANISM MUST BE FASTENED TO THE AIRCRAFT STRUCTURE WITH A MINIMUM OF 4 NAS603 SCREWS SHOWN IN HATCHED AREAS IN THE SIDE VIEW FASTENERS SHOULD NOT INTERFERE WITH THE OPERATION OF MECHANISM.
 - STRUCTURAL SUBSTANTIATION OF THE AIRCRAFT STRUCTURE IS THE RESPONSIBILITY OF THE INSTALLER.
 - COMPLIANCE TO APPLICABLE FEDERAL AVIATION REGULATIONS REGARDING AISLE CLEARANCE REQUIREMENTS IS THE RESPONSIBILITY OF THE INSTALLER.
- DESIGN LOADS OF THE MODEL 53600 MECHANISM.

THE MECHANISM CAN SUPPORT 151 LBS. ULTIMATE APPLIED AT 11.75 INCHES FROM THE INBOARD EDGE OF THE SIDE PLATE.

CONVERT ULTIMATE LOAD TO AN ALLOWABLE TABLETOP WEIGHT AND ITEMS WITH THE FORMULA BELOW.

$$(WEIGHT OF ITEMS + WEIGHT OF TABLE TOP) \times \text{LOAD FACTOR} \leq 151$$

SIDE VIEW

A = DASH NUMBER (WIDTH OF TABLE) FRONT VIEW

INSPECTION CLASS C	DRAWN RAB 03/16/99			
	FINISH: N/A			
UNLESS OTHERWISE SPECIFIED TOLERANCES:	MATERIAL: N/A	TITLE INSTALLATION N53600 SIDE WALL TABLE		
DECIMAL .XX ± .01 .XXX ± .005	ANGULAR ± 1°	SIZE A	DWG NO. N53600	REV. J
DIMENSIONS ARE IN INCHES ALL MACHINED SURFACES $\frac{ES}{}$ DO NOT SCALE DRAWING REMOVE ALL BURRS & SHARP EDGES .010-.015		The data, concepts or designs contained herein are the exclusive property of Enflite, Inc. or contain the proprietary rights of others and shall not be used, disclosed, copied, duplicated or reproduced without the written consent of Enflite, Inc.		SCALE NONE
		CAD FILE N53600-XX-J	SHEET 1	OF 1