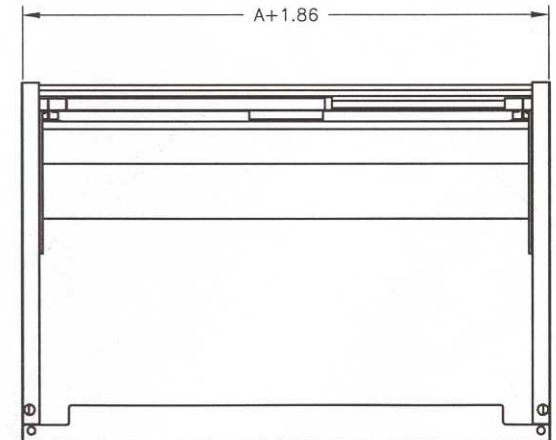
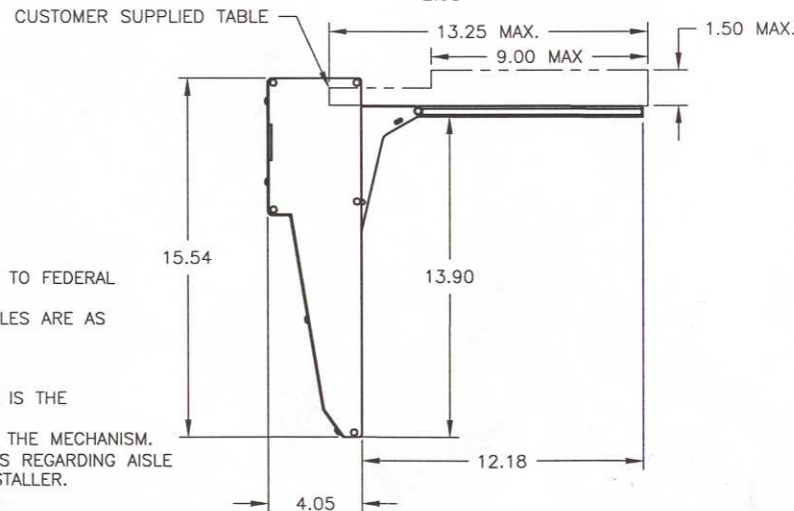
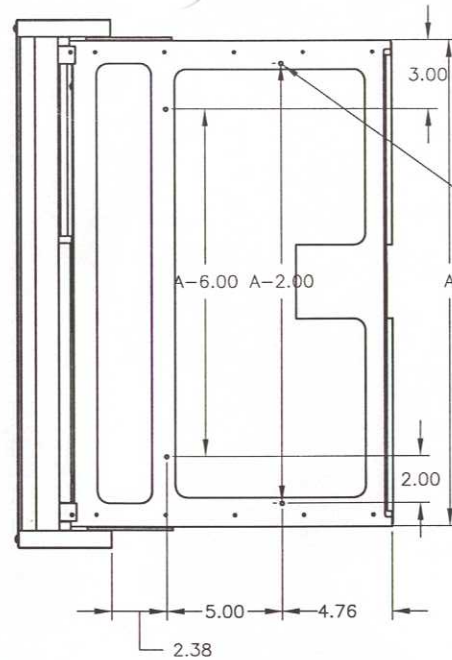
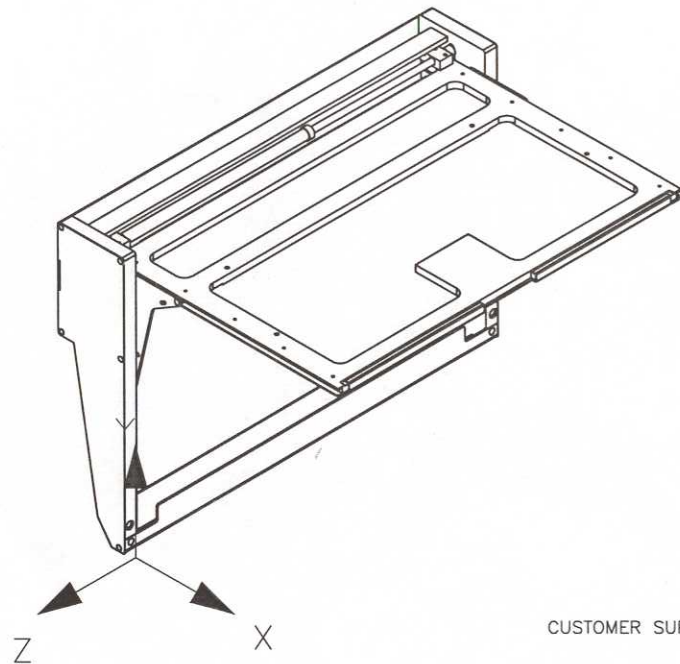


REVISIONS				
LTR	DESCRIPTION	REV BY	APPROVED	DATE
A	INITIAL RELEASE	BJH	KEY	7/20/00
B	SEE DRN N54300	BJH	KEY	10/12/00



A = DASH NUMBER (WIDTH OF TABLE)

**NOTES:**

**TABLE TOP INFORMATION**

- A) THE COMPLIANCE OF THE INSTALLATION OF THE TABLE TOP TO FEDERAL REGULATIONS IS THE RESPONSIBILITY OF THE INSTALLER.
- B) THE SIZE AND LOCATION OF THE TABLE TOP MOUNTING HOLES ARE AS INDICATED.

**AIRCRAFT ATTACHMENT INFORMATION**

- A) STRUCTURAL SUBSTANTIATION OF THE AIRCRAFT STRUCTURE IS THE RESPONSIBILITY OF THE INSTALLER.
- B) FASTENERS MUST NOT INTERFERE WITH THE OPERATION OF THE MECHANISM.
- C) COMPLIANCE TO APPLICABLE FEDERAL AVIATION REGULATIONS REGARDING AISLE CLEARANCE REQUIREMENTS IS THE RESPONSIBILITY OF THE INSTALLER.

**MECHANICAL INFORMATION**

- A) WEIGHT OF THE MECHANISM - 10.99 LBS FOR A -21 TABLE ( $\pm .31$  PER INCH)
- B) THE LOCATION OF THE CENTER OF GRAVITY IN THE STOWED POSITION IS AT  $X=-1.45, Y=7.73$ . THE CENTER OF GRAVITY IN THE DEPLOYED POSITION IS LOCATED AT  $X=0.08, Y=11.32$ . Z IS APPROX AT THE GEOMETRIC CENTER.
- C) SEE TEST REPORT Q53600 TO DETERMINE THE RIGIDITY OF THE TABLE TOP SUPPORT.
- D) THE MECHANISM CAN SUPPORT AN ULTIMATE LOAD OF 151LBS APPLIED 11.55 INCHES FROM THE INBOARD FACE OF THE SIDEPLATES AND CENTERED ON THE A DIMENSION. SEE STRESS REPORT R53500. CONVERT ULTIMATE LOAD TO AN ALLOWABLE TABLE TOP WEIGHT WITH THE FOLLOWING FORMULA:  
(WEIGHT OF ITEMS + WEIGHT OF TABLE TOP) X ULTIMATE LOAD FACTOR MUST BE LESS THAN OR EQUAL TO 151 LBS.
- E) SEE OPERATION MANUAL M53500 FOR ADDITIONAL INFORMATION ON MECHANISM OPERATION AND MAINTENANCE.

<i>Released</i>	DRAWN BJH 7/13/00	<b>Enflite, Inc.</b> Austin, Texas
	FINISH: NONE	
INSPECTION CLASS A	MATERIAL: N/A	TITLE INSTALLATION DRAWING FOR 54300 SIDE WALL TABLE
UNLESS OTHERWISE SPECIFIED TOLERANCES: DECIMAL .XX $\pm .01$ .XXX $\pm .005$ ANGULAR $\pm \text{ }^\circ$	The data, concepts or designs contained herein are the exclusive property of Enflite, Inc. or contain the proprietary rights of others and shall not be used, disclosed, copied, duplicated or reproduced without the written consent of Enflite, Inc.	SIZE A DWG NO. N54300 REV. B
DIMENSIONS ARE IN INCHES ALL MACHINED SURFACES $\sqrt{\text{V}}$ DO NOT SCALE DRAWING REMOVE ALL BURRS & SHARP EDGES .010-.015	SCALE NONE	CAD FILE 543200-XX-B-B SHEET 1 OF 1