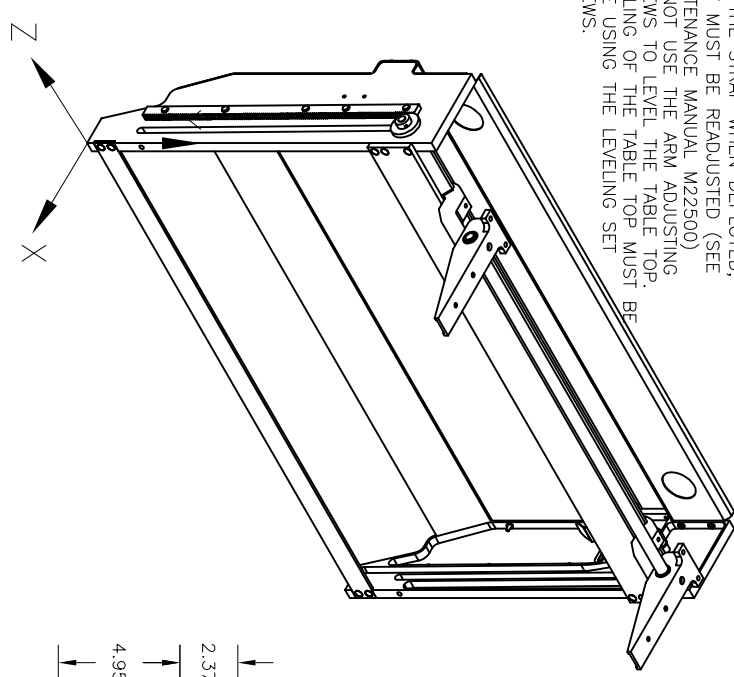


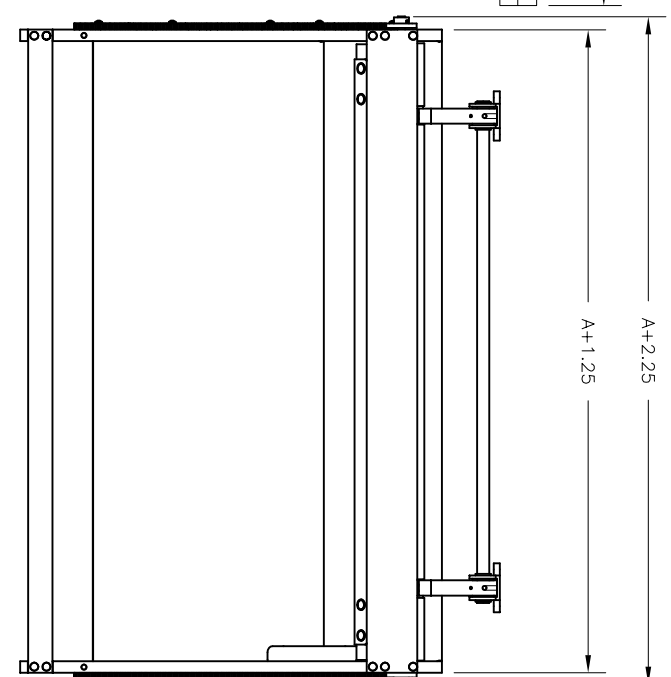
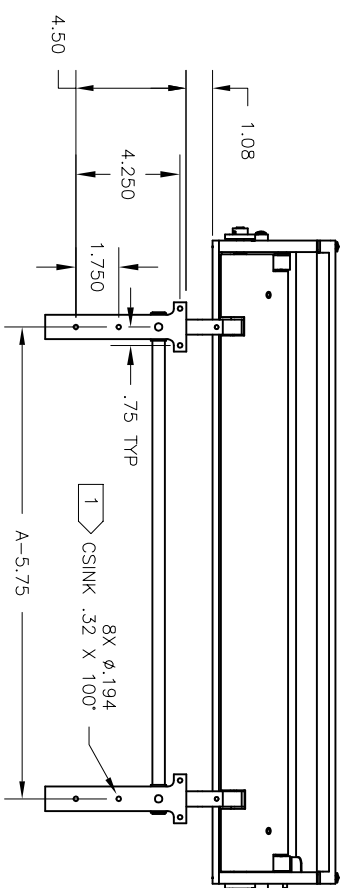
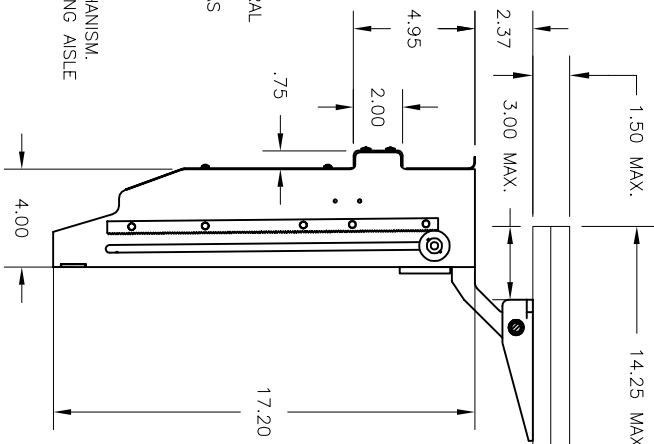
- NOTES:
- FOR ADDITIONAL INFORMATION REFER TO THE OPERATION MANUAL 22500.
 - A= DASH NUMBER (TABLE WIDTH)
 - (SEE SHEET 2) THE ARM ADJUSTING SCREWS HAVE BEEN SET TO MINIMIZE TABLE TOP DEFLECTION. IF AFTER INSTALLATION, A GAP APPEARS BETWEEN THE ARM ADJUSTING SCREWS AND THE STRAP WHEN DEPLOYED, THEY MUST BE READJUSTED (SEE MAINTENANCE MANUAL M22500) DO NOT USE THE ARM ADJUSTING SCREWS TO LEVEL THE TABLE TOP. LEVELING OF THE TABLE TOP MUST BE DONE USING THE LEVELING SET SCREWS.



1 TABLE TOP INFORMATION
 A) THE COMPLIANCE OF THE INSTALLATION OF THE TABLE TOP TO FEDERAL REGULATIONS IS THE RESPONSIBILITY OF THE INSTALLER.
 B) THE SIZE AND LOCATION OF THE TABLE TOP MOUNTING HOLES ARE AS INDICATED.

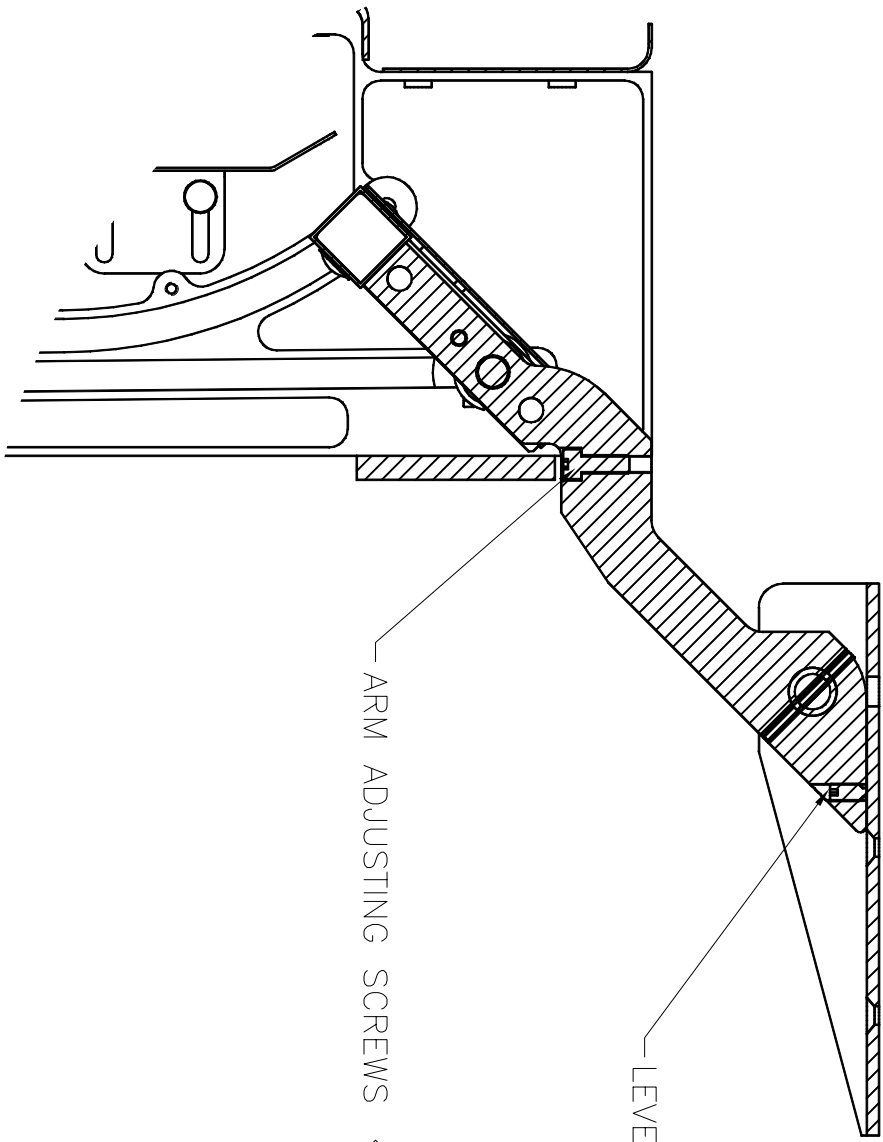
AIRCRAFT ATTACHMENT INFORMATION
 A) STRUCTURAL SUBSTANTIATION OF THE AIRCRAFT STRUCTURE IS THE RESPONSIBILITY OF THE INSTALLER.
 B) FASTENERS MUST NOT INTERFERE WITH THE OPERATION OF THE MECHANISM.
 C) COMPLIANCE TO APPLICABLE FEDERAL AVIATION REGULATIONS REGARDING AISLE CLEARANCE REQUIREMENTS IS THE RESPONSIBILITY OF THE INSTALLER.

MECHANICAL INFORMATION
 A) WEIGHT OF THE MECHANISM - 11.17 LBS FOR A -25 TABLE (±.18 LB PER INCH)
 B) THE LOCATION OF THE CENTER OF GRAVITY IN THE STOWED POSITION IS AT X=-1.31, Y=6.90. THE CENTER OF GRAVITY IN THE DEPLOYED POSITION IS LOCATED AT X=-.95, Y=13.5. Z IS APPROX AT THE GEOMETRIC CENTER.
 C) THE MECHANISM CAN SUPPORT AN ULTIMATE LOAD OF 236 LBS. APPLIED 13 INCHES FROM THE INBOARD FACE OF THE SIDEPLATES. SEE STRESS REPORT R22250. CONVERT ULTIMATE TABLE TOP WEIGHT WITH THE FOLLOWING FORMULA:
 (WEIGHT OF ITEMS + WEIGHT OF TABLE TOP) X ULTIMATE LOAD FACTOR MUST BE LESS THAN OR EQUAL TO 236 LBS.
 D) SEE OPERATION MANUAL M22500 FOR ADDITIONAL INFORMATION ON MECHANISM OPERATION AND MAINTENANCE.



REVISIONS		REV BY	APPROVED	DATE
LTR	DESCRIPTION			
A	INITIAL RELEASE	BJH	KET	06/19/02
B	SEE ECO N54900B	BJH	KET	09/14/02
C	SEE ECO N54900C	EPW	KPE	12/02/04

UNLESS OTHERWISE SPECIFIED DECIMAL TOLERANCES: XX ±.01 .XXX ±.005		DIMENSIONS ARE IN INCHES ALL MACHINED SURFACES DO NOT SCALE DRAWING REMOVE ALL BURRS & SHARP EDGES .010-.015	
INSPECTION CLASS	C	DRAWN	BJH 6/1/12/02
FINISH: N/A		MATERIAL: N/A	
TITLE INSTALLATION DRAWING FOR 54900			
SIZE	A	DWG NO.	N54900
SCALE	NONE	CAD FILE	54900-XX-B-C
SHEET	1	OF	2



LEVELLING SCREWS

ARM ADJUSTING SCREWS

3



SIZE	DWG NO.	REV.
A	N54900	C
SCALE NONE	CAD FILE 54900-XX-B-C	SHEET 2 OF 2