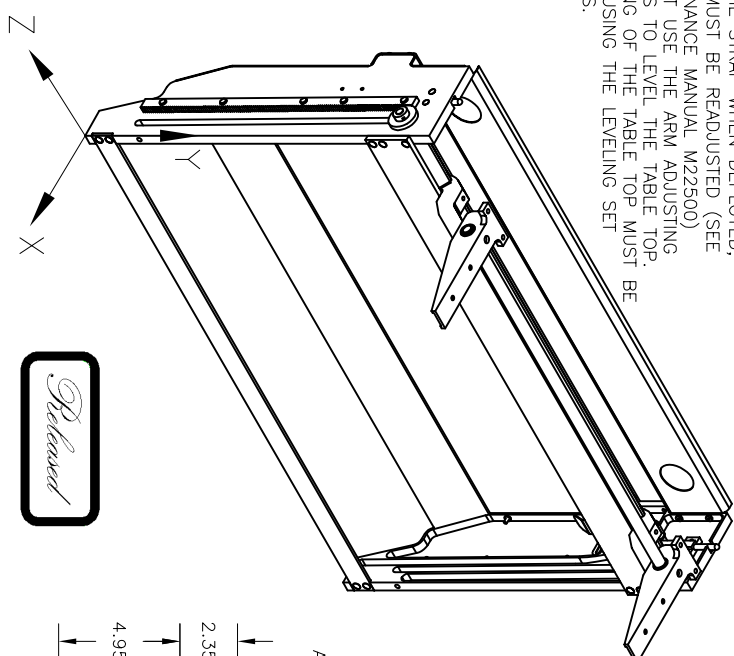
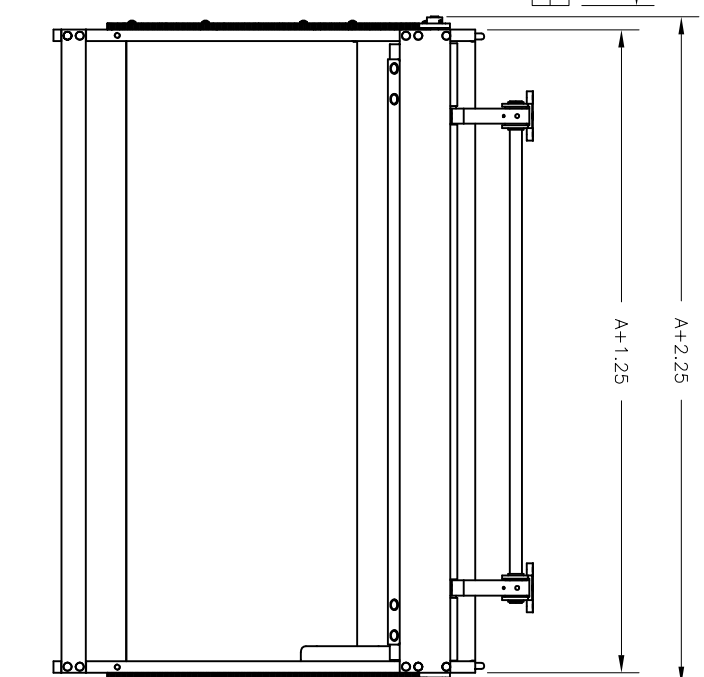
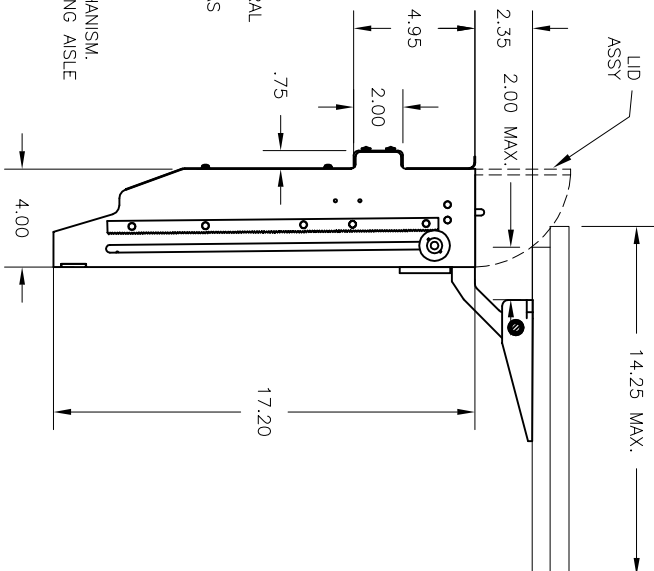


REVISIONS		REV BY	APPROVED	DATE
A	INITIAL RELEASE	DED	KET	5/19/03
B	SEE ECO N54975B	THH	KPW	8/19/04

- NOTES:
- FOR ADDITIONAL INFORMATION REFER TO THE OPERATION MANUAL 22500.
 - A= DASH NUMBER (TABLE WIDTH)
 - (SEE SHEET 2) THE ARM ADJUSTING SCREWS HAVE BEEN SET TO MINIMIZE TABLE TOP DEFLECTION. IF AFTER INSTALLATION, A GAP APPEARS BETWEEN THE ARM ADJUSTING SCREWS AND THE STRAP WHEN DEPLOYED, THEY MUST BE READJUSTED (SEE MAINTENANCE MANUAL M22500) DO NOT USE THE ARM ADJUSTING SCREWS TO LEVEL THE TABLE TOP. LEVELING OF THE TABLE TOP MUST BE DONE USING THE LEVELING SET SCREWS.



- 1
- THE COMPLIANCE OF THE INSTALLATION OF THE TABLE TOP TO FEDERAL REGULATIONS IS THE RESPONSIBILITY OF THE INSTALLER.
 - THE SIZE AND LOCATION OF THE TABLE TOP MOUNTING HOLES ARE AS INDICATED.



AIRCRAFT ATTACHMENT INFORMATION

- STRUCTURAL SUBSTITUTION OF THE AIRCRAFT STRUCTURE IS THE RESPONSIBILITY OF THE INSTALLER.
- FASTENERS MUST NOT INTERFERE WITH THE OPERATION OF THE MECHANISM.
- COMPLIANCE TO APPLICABLE FEDERAL AVIATION REGULATIONS REGARDING AISLE CLEARANCE REQUIREMENTS IS THE RESPONSIBILITY OF THE INSTALLER.

MECHANICAL INFORMATION

A) WEIGHT OF THE MECHANISM - 11.17 LBS FOR A -25 TABLE (±.18 LB PER INCH)

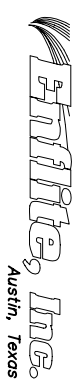
B) THE LOCATION OF THE CENTER OF GRAVITY IN THE STOWED POSITION IS AT X=-1.31, Y=6.90. THE CENTER OF GRAVITY IN THE DEPLOYED POSITION IS LOCATED AT X=-.95, Y=13.5. Z IS APPROX AT THE GEOMETRIC CENTER.

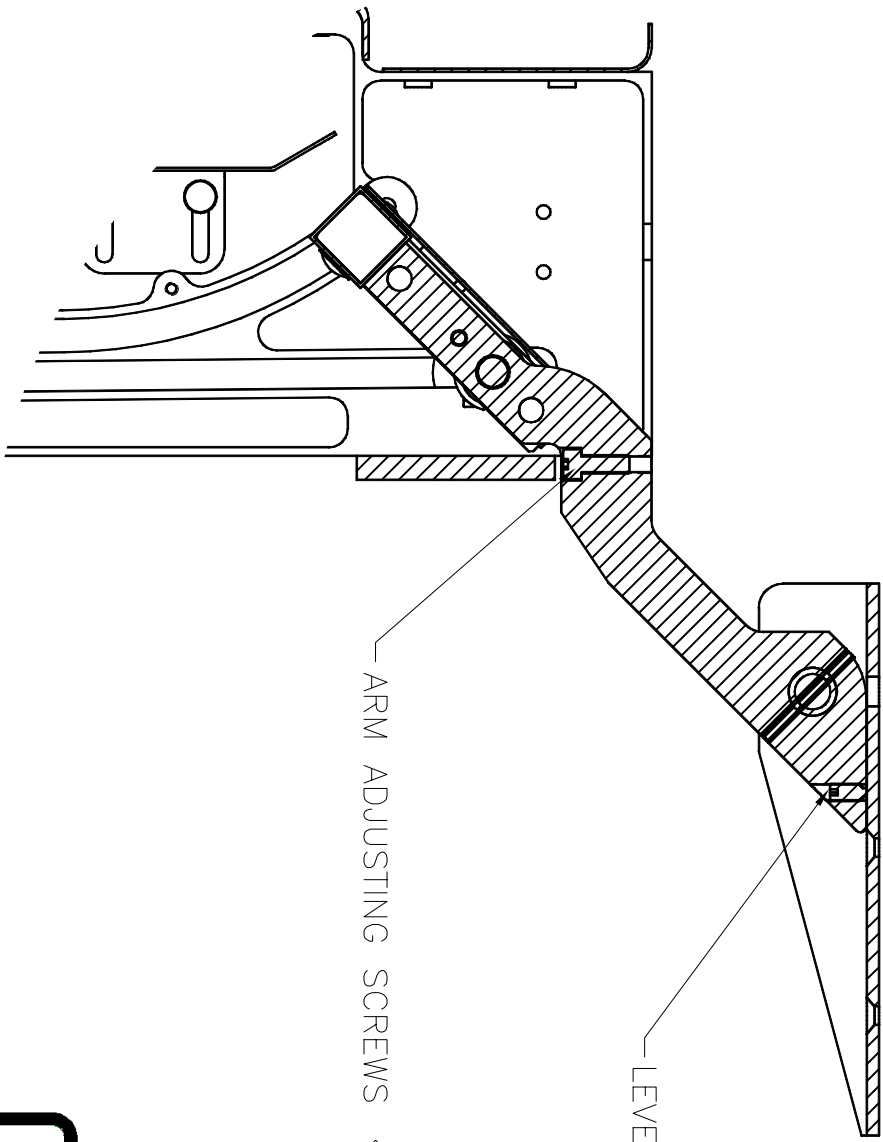
C) THE MECHANISM CAN SUPPORT AN ULTIMATE LOAD OF 236 LBS. APPLIED 13 INCHES FROM THE INBOARD FACE OF THE SIDEPLATES. SEE STRESS REPORT R22250. CONVERT ULTIMATE TABLE TOP WEIGHT WITH THE FOLLOWING FORMULA:

(WEIGHT OF ITEMS + WEIGHT OF TABLE TOP) X ULTIMATE LOAD FACTOR MUST BE LESS THAN OR EQUAL TO 236 LBS.

E) SEE OPERATION MANUAL M22500 FOR ADDITIONAL INFORMATION ON MECHANISM OPERATION AND MAINTENANCE.

INSPECTION CLASS		DRAWN		TITLE	
UNLESS OTHERWISE SPECIFIED DECIMAL TOLERANCES: XX ±.01 XXX ±.005		DED 11/22/02		INSTALLATION DRAWING FOR 54975	
DIMENSIONS ARE IN INCHES ALL MACHINED SURFACES DO NOT SCALE DRAWING		FINISH: N/A		MATERIAL: N/A	
REMOVE ALL BURRS & SHARP EDGES .010-.015		The data, concepts or designs contained herein are the exclusive property of Entitec, Inc. or contain the proprietary rights of others and shall not be used, disclosed, or reproduced without the written consent of Entitec, Inc.		SIZE A DWG NO. N54975 REV. B SCALE NONE CAD FILE 54975-XX-C-B SHEET 1 OF 2	





LEVELLING SCREWS

ARM ADJUSTING SCREWS

3



SIZE	DWG NO.	REV.
A	N54975	B
SCALE NONE	CAD FILE 54975-XX-C-B	SHEET 2 OF 2