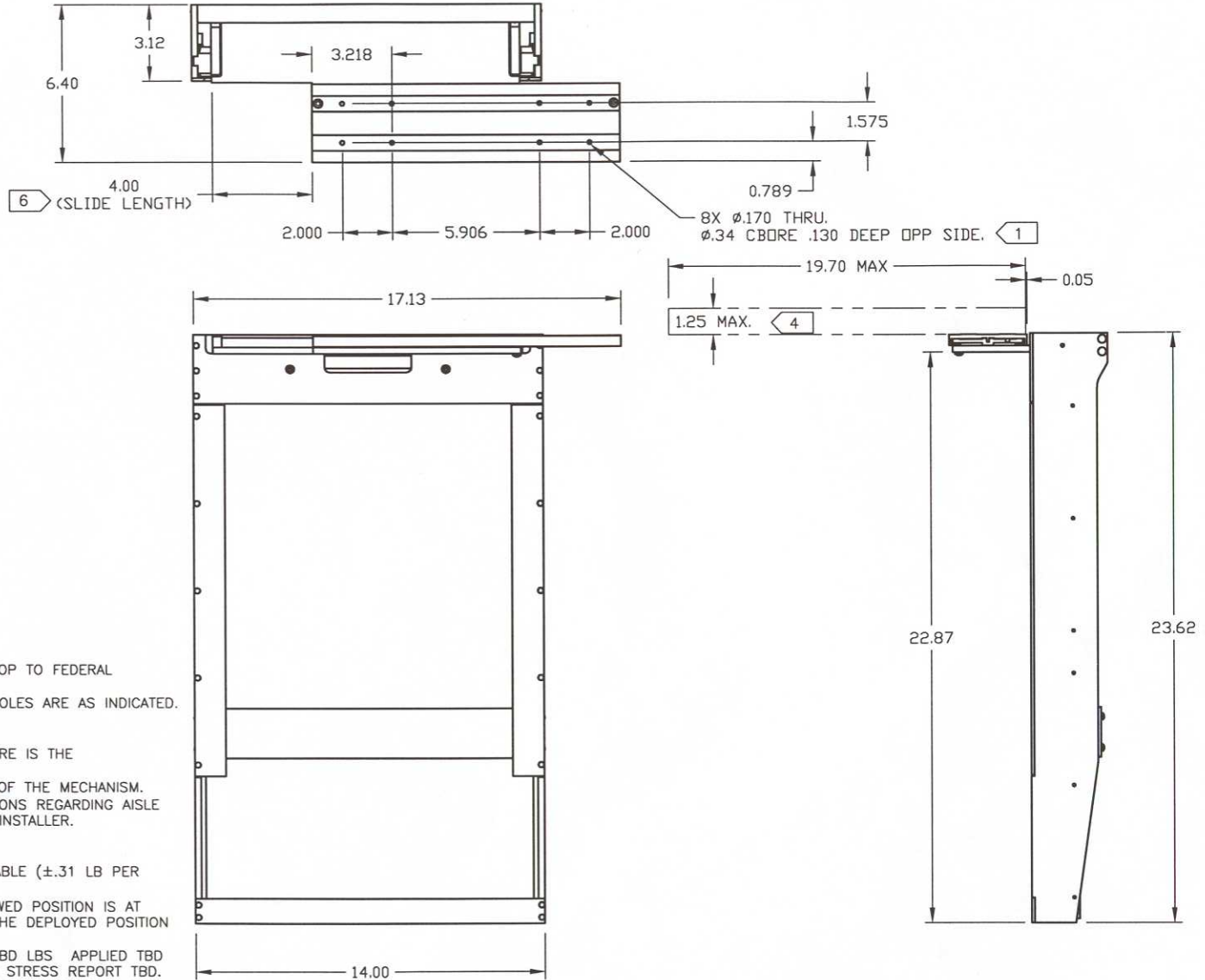
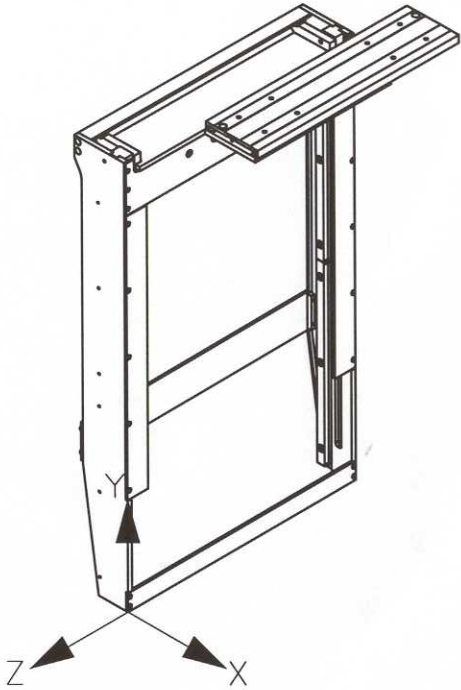


REVISIONS				
LTR	DESCRIPTION	REV BY	APPROVED	DATE
A	INITIAL RELEASE	BJH	<i>KAT</i>	10/18/02



NOTES:

1) TABLE TOP INFORMATION

- A) THE COMPLIANCE OF THE INSTALLATION OF THE TABLE TOP TO FEDERAL REGULATIONS IS THE RESPONSIBILITY OF THE INSTALLER.
- B) THE SIZE AND LOCATION OF THE TABLETOP MOUNTING HOLES ARE AS INDICATED.

2) AIRCRAFT ATTACHMENT INFORMATION

- A) STRUCTURAL SUBSTANTIATION OF THE AIRCRAFT STRUCTURE IS THE RESPONSIBILITY OF THE INSTALLER.
- B) FASTENERS MUST NOT INTERFERE WITH THE OPERATION OF THE MECHANISM.
- C) COMPLIANCE TO APPLICABLE FEDERAL AVIATION REGULATIONS REGARDING AISLE CLEARANCE REQUIREMENTS IS THE RESPONSIBILITY OF THE INSTALLER.

3) MECHANICAL INFORMATION

- A) WEIGHT OF THE MECHANISM - 7.17 LBS FOR A -13 TABLE (±.31 LB PER INCH)
- B) THE LOCATION OF THE CENTER OF GRAVITY IN THE STOWED POSITION IS AT X=-1.07, Y=9.41, Z=-7.22. THE CENTER OF GRAVITY IN THE DEPLOYED POSITION IS LOCATED AT X=-.58, Y=17.56, Z=-7.65.
- C) THE MECHANISM CAN SUPPORT AN ULTIMATE LOAD OF TBD LBS APPLIED TBD INCHES FROM THE INBOARD FACE OF THE SIDEPLATES. SEE STRESS REPORT TBD. CONVERT ULTIMATE LOAD TO AN ALLOWABLE TABLE TOP WEIGHT WITH THE FOLLOWING FORMULA:
 $(\text{WEIGHT OF ITEMS} + \text{WEIGHT OF TABLE TOP}) \times \text{ULTIMATE LOAD FACTOR}$ MUST BE LESS THAN OR EQUAL TO TBD LBS.
- E) SEE OPERATION MANUAL M22180 FOR ADDITIONAL INFORMATION ON MECHANISM OPERATION AND MAINTENANCE.

- 4) THIS APPLIES TO A SINGLE LEAF TABLETOP. A DOUBLE LEAF TABLETOP MUST HAVE A MAX THICKNESS OF .62.

- 5) MAX TABLETOP WIDTH IS 12.80.

- 6) A 55200-13A SLIDES 4.00 TO THE RIGHT AS SHOWN ABOVE. A 55200-13B SLIDES 4.00 TO THE LEFT.

<i>Released</i>	DRAWN BJH 10/1/02	Enlite, Inc. Austin, Texas	
	FINISH: N/A		
INSPECTION CLASS A	MATERIAL: N/A	TITLE SIDEWALL TABLE 4" SLIDE	
UNLESS OTHERWISE SPECIFIED TOLERANCES: DECIMAL .XX ± .01 .XXX ± .005 ANGULAR ± 1°	The data, concepts or designs contained herein are the exclusive property of Enlite, Inc. or contain the proprietary rights of others and shall not be used, disclosed, copied, duplicated or reproduced without the written consent of Enlite, Inc.		REV. A
DIMENSIONS ARE IN INCHES ALL MACHINED SURFACES \sqrt{R} DO NOT SCALE DRAWING REMOVE ALL BURRS & SHARP EDGES .010-.015	SIZE A	DWG NO. N55200	SHEET 1 OF 1
	SCALE NONE	CAD FILE 55200-13A-A-A	