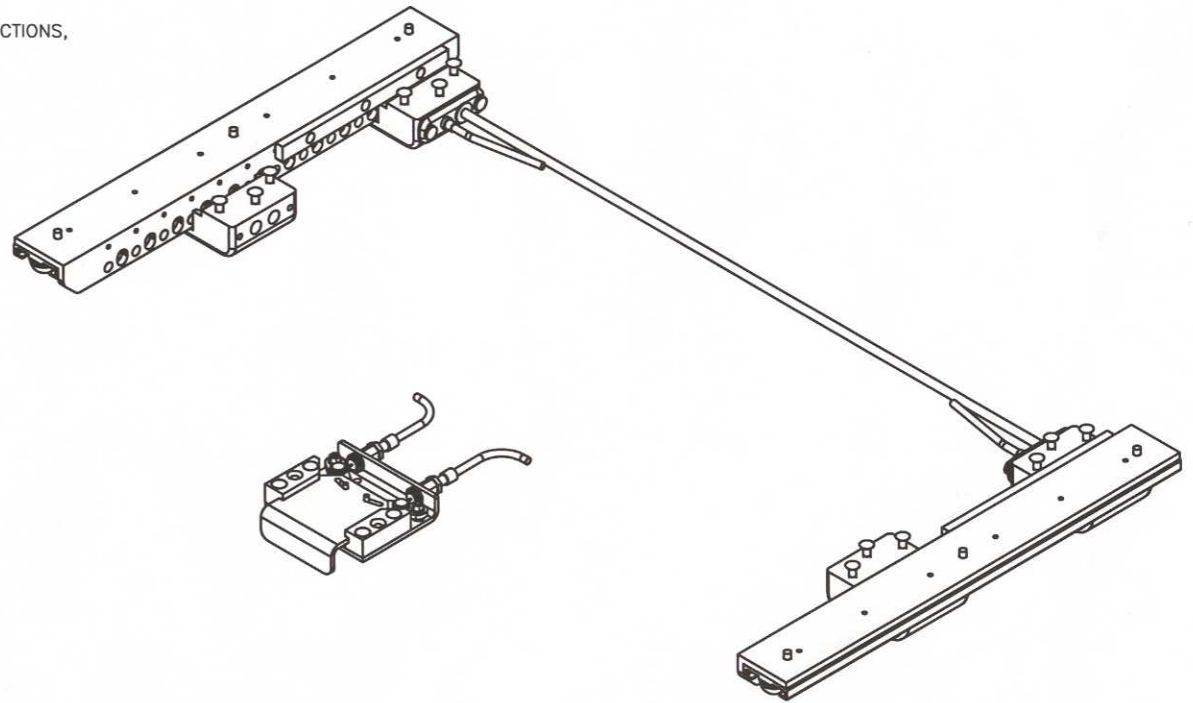


NOTES:

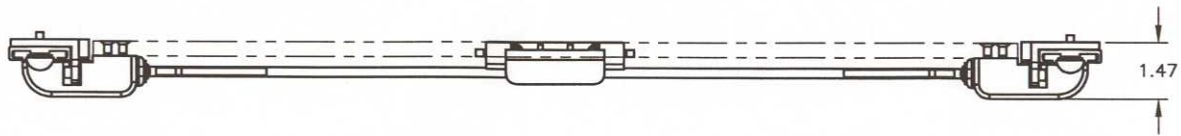
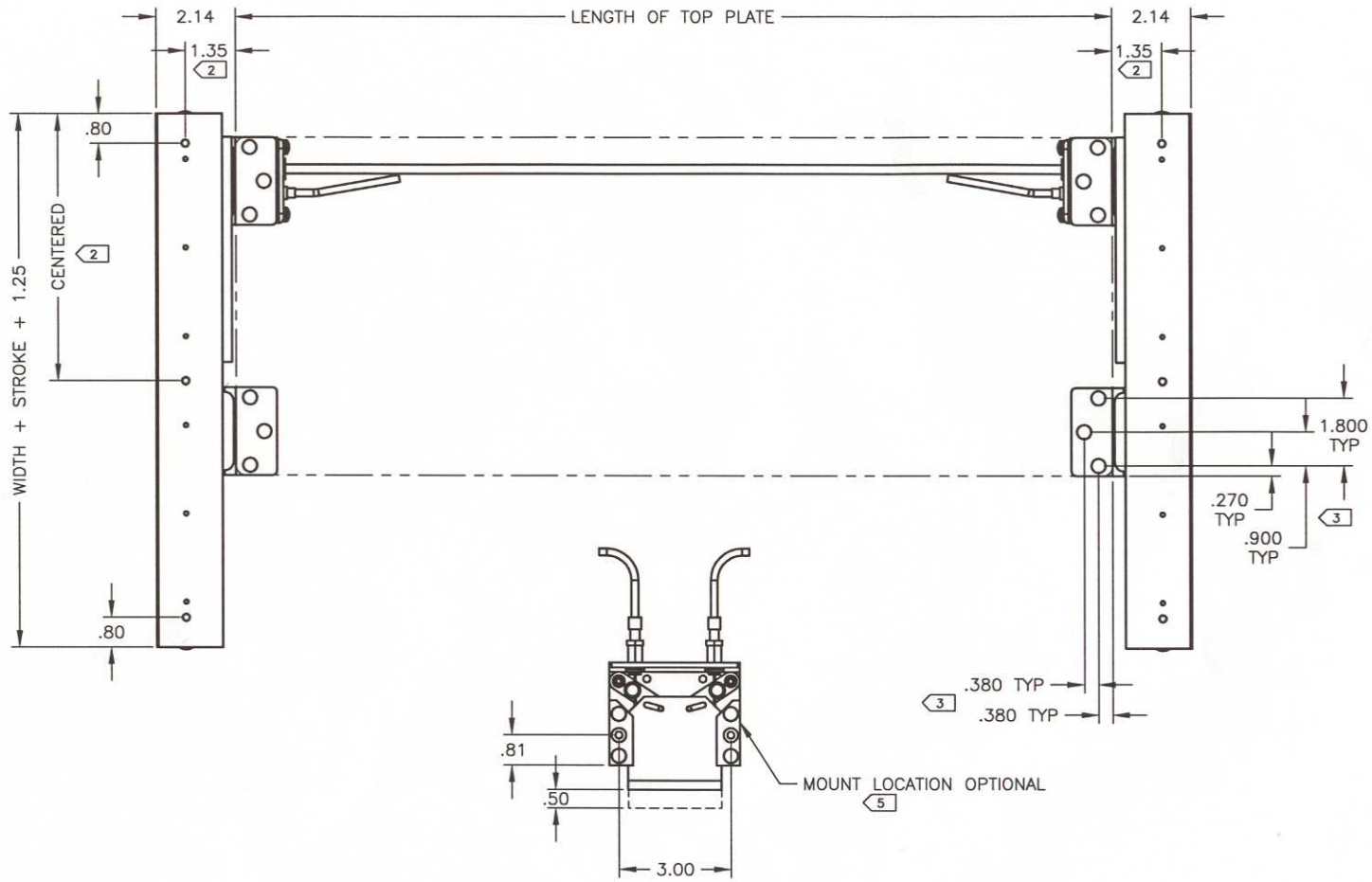
1. REFER TO THE TOP LEVEL "ERP" BILL OF MATERIALS FOR ACTUAL LENGTH AND WIDTH DEPENDANT PART NUMBERS. SUPPLY A COPY OF THE "ERP" BILL OF MATERIALS AND DRAWINGS OF REQUIRED LENGTH AND WIDTH DEPENDANT PARTS WITH THIS DOCUMENT. USE THESE DRAWINGS AS WELL AS THE DRAWINGS FOR THE PEDESTAL TO DEFINE ACTUAL DIMENSIONS FOR INSTALLATION.
2. ATTACHMENT OF MODEL 70010 SLIDE TOP ASSEMBLY TO THE TABLE TOP.
  - A. THE TABLE TOP MUST BE FASTENED TO THE SLIDE TOP ASSEMBLY WITH A MINIMUM OF SIX NAS603 SCREWS (OR EQUIV) IN THE AREA NOTED IN THE TOP VIEW.
  - B. COMPLIANCE OF THE TABLE TOP TO FEDERAL AVATION REGULATIONS IS THE RESPONSIBILITY OF THE INSTALLER.
3. ATTACHMENT OF MODEL 70010 SLIDE TOP ASSEMBLY TO THE PEDESTAL ASSY.
 

THE SLIDE TOP ASSEMBLY MUST BE FASTENED TO THE PEDESTAL ASSEMBLY WITH A MINIMUM OF TWELVE NAS517-3 FLAT HEAD SCREWS (OR EQUIV) IN THE LOCATION SHOWN IN THE TOP VIEW.
4. REFER TO THE PEDESTAL ASSEMBLY FOR ADDITIONAL INSTALLATION INSTRUCTIONS, LIMITATIONS AND OTHER REQUIREMENTS.
5. ATTACHMENT OF SLIDE TOP HANDLE, OPTIONAL.



		REVISIONS		
LTR	DESCRIPTION	REV BY	APPROVED	DATE
A	INITIAL RELEASE	RAB	<i>[Signature]</i>	4/19/02

<p style="font-size: 2em; color: blue;">Released</p> <p>INSPECTION CLASS A</p>	DRAWN RAB 04/10/02	<p><b>Enflite, Inc.</b> Austin, Texas</p>					
	FINISH: N/A						
<p>UNLESS OTHERWISE SPECIFIED TOLERANCES:</p> <table style="width: 100%; border: none;"> <tr> <td style="text-align: center;">DECIMAL .XX ± .01</td> <td style="text-align: center;">ANGULAR ± 1°</td> </tr> <tr> <td style="text-align: center;">.XXX ± .005</td> <td></td> </tr> </table> <p>DIMENSIONS ARE IN INCHES</p> <p>ALL MACHINED SURFACES </p> <p>DO NOT SCALE DRAWING</p> <p>REMOVE ALL BURRS &amp; SHARP EDGES .010-.015</p>	DECIMAL .XX ± .01	ANGULAR ± 1°	.XXX ± .005		MATERIAL: N/A	TITLE INSTALLATION, SLIDE TOP ASSY, WIDTH TRAVEL	
DECIMAL .XX ± .01	ANGULAR ± 1°						
.XXX ± .005							
	<p><small>The data, concepts or designs contained herein are the exclusive property of Enflite, Inc. or contain the proprietary rights of others and shall not be used, disclosed, copied, duplicated or reproduced without the written consent of Enflite, Inc.</small></p>	SIZE A	DWG NO. N70010	REV. A			
	SCALE NONE	CAD FILE 70010-XX-A-A	SHEET 1 OF 2				



SIZE A	DWG NO. N70010	REV. A
SCALE NONE	CAD FILE 70010-XX-A-A	SHEET 2 OF 2