

REVISIONS				
LTR	DESCRIPTION	REV BY	APPROVED	DATE
A	INITIAL RELEASE	RAB	KET	10/11/03
B	SEE ECO N70140B	THH	KPW	6/15/04
C	SEE ECO N70140C	THH	KPW	6/25/04

NOTES:

1 REFER TO THE TOP LEVEL "ERP" BILL OF MATERIALS FOR ACTUAL TOP PLATE, BOTTOM PLATE, AND THE TABLE LEG PART NUMBERS. SUPPLY A COPY OF THE "ERP" BILL OF MATERIALS AND DRAWINGS OF REQUIRED TOP PLATE, BOTTOM PLATE, AND TABLE LEG WITH THIS DOCUMENT. USE THE DRAWINGS TO DEFINE ACTUAL TABLE DIMENSIONS FOR INSTALLATION.

2 ATTACHMENT OF P/N 70140-XX (PEDESTAL) TO THE TABLE TOP.

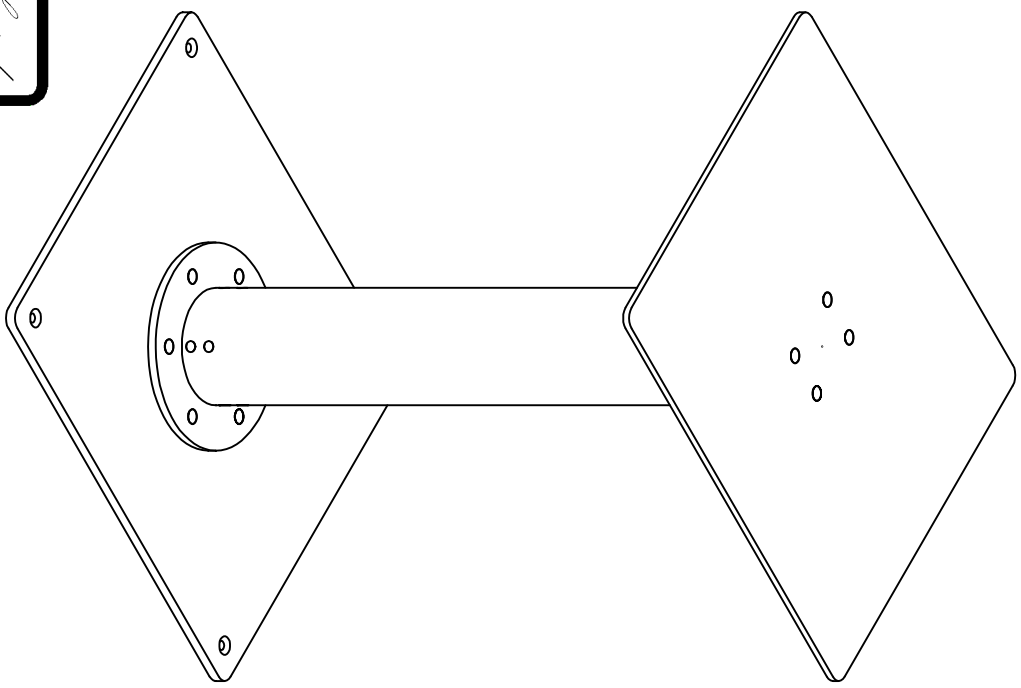
- A. THE WEIGHT OF THE TABLE TOP MUST NOT EXCEED 30 LBS FOR TABLES 16-28 INCHES TALL AND 35 LBS FOR TABLES SHORTER THAN 16 INCHES.
- B. THE CENTER OF GRAVITY OF THE TABLE TOP MUST BE WITHIN 1 INCH OF THE CENTERLINE OF THE PEDESTAL.
- C. THE TABLE TOP MUST BE FASTENED TO THE PEDESTAL WITH FOUR BOLTS (MINIMUM) IN THE HATCHED AREA SHOWN IN THE TOP VIEW. ADDITIONAL FASTENERS OUTSIDE THE HATCHED AREA MAY IMPROVE RIGIDITY.
- D. THE COMPLIANCE OF THE TABLE TOP TO FEDERAL AVIATION REGULATIONS IS THE RESPONSIBILITY OF THE INSTALLER.

3 ATTACHMENT OF P/N 70140-XX (PEDESTAL) TO AIRCRAFT STRUCTURE.

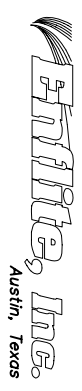
- A. THE PEDESTAL TABLE TOP ASSEMBLY MUST BE FASTENED TO THE AIRCRAFT STRUCTURE WITH FOUR BOLTS OR SCREWS (MINIMUM) IN THE HATCHED AREA SHOWN IN SECTION A-A. ADDITIONAL FASTENERS OUTSIDE THE HATCHED AREA MAY IMPROVE RIGIDITY.
- B. THE ABILITY OF THE AIRCRAFT STRUCTURE TO RESIST THE LOADS OF THE PEDESTAL TABLE TOP ASSEMBLY UNDER THE DESIGN LOAD FACTORS (SEE NOTE 4) IS THE RESPONSIBILITY OF THE INSTALLER.
- C. COMPLIANCE TO APPLICABLE FEDERAL AVIATION REGULATIONS REGARDING AISLE CLEARANCE REQUIREMENTS IS THE RESPONSIBILITY OF THE INSTALLER.

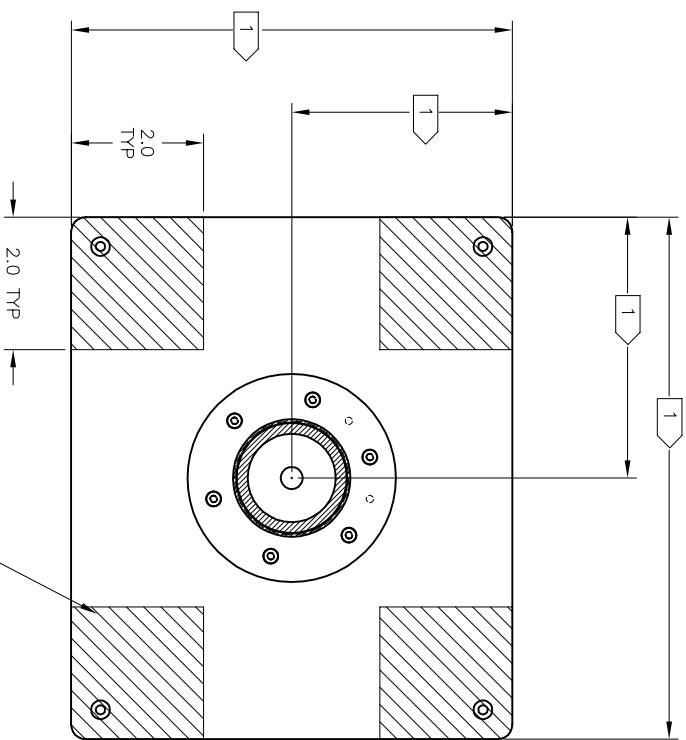
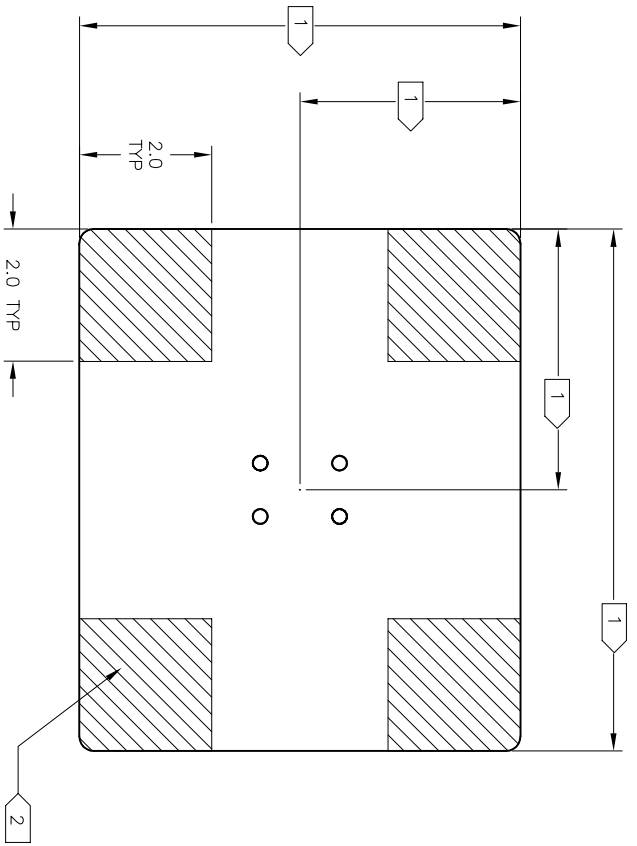
4. DESIGN LOAD FACTORS:

- A. THE FOLLOWING LOAD FACTORS WERE USED IN CONSIDERING THE STRUCTURAL INTEGRITY OF THE PEDESTAL:
    - FORWARD 9.00 G
    - AFT: 1.50 G
    - LATERAL: 3.00 G
    - UP: 6.50 G
    - DOWN: 9.60 G
- THESE LOAD FACTORS MEET OF EXCEED THE REQUIREMENTS OF FAR PART 25.561.

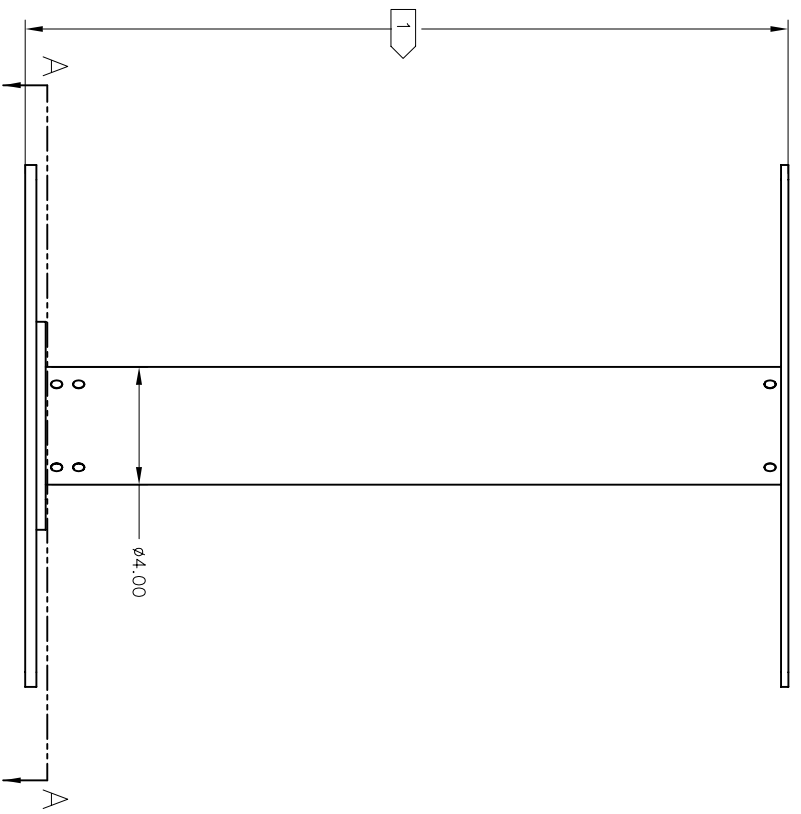


INSPECTION CLASS		DRAWN		TITLE	
UNLESS OTHERWISE SPECIFIED TOLERANCES:		RAB 10/11/01		INSTALLATION PED. ASSY	
DECIMAL XX ± .04	ANGULAR ± 1°	FINISH: N/A	MATERIAL: N/A	SIZE A	DWG NO. N70140
DIMENSIONS ARE IN INCHES ALL MACHINED SURFACES $\sqrt{R}$ DO NOT SCALE DRAWING		The data, concepts or designs contained herein are the exclusive property of Entitec, Inc. or contain the proprietary rights of others and shall not be used, disclosed, or reproduced without the written consent of Entitec, Inc.		SCALE NONE	CAD FILE 70140-XX-A-C
REMOVE ALL BURRS & SHARP EDGES .010-.015				SHEET 1	REV. C
				OF 2	





SECTION A-A



SIZE	DWG NO.	REV.
A	N70140	C
SCALE NONE	CAD FILE 70140-XX-A-C	SHEET 2 OF 2