

NOTES:

1 REFER TO THE TOP LEVEL "ERP" BILL OF MATERIALS FOR ACTUAL HEIGHT AND WIDTH DEPENDENT PART NUMBERS THAT ARE REQUIRED. SUPPLY A COPY OF THE "ERP" BILL OF MATERIALS AND THE DRAWINGS OF THE REQUIRED PARTS NEEDED WITH THIS DOCUMENT. USE THE DRAWINGS TO DEFINE ACTUAL TABLE DIMENSIONS FOR INSTALLATION.

2. SEE MAINTENANCE MANUAL M70222 AND STRESS REPORT R70222.

3 ATTACHMENT OF P/N 70222-XX
PEDESTAL ASSEMBLY TO THE TABLETOP.

- A. THE WEIGHT OF THE TABLETOP MUST NOT EXCEED 40 LBS.
- B. THE CENTER OF GRAVITY OF THE TABLETOP MUST BE WITHIN 5 INCHES OF THE CENTERLINE OF THE PEDESTAL.
- C. THE COMPLIANCE OF THE TABLETOP, AND ITS ATTACHMENT, WITH FEDERAL AVIATION REGULATIONS IS THE RESPONSIBILITY OF THE INSTALLER.

4 ATTACHMENT OF P/N 70222-XX
PEDESTAL ASSEMBLY TO THE AIRCRAFT STRUCTURE.

- A. THE ABILITY OF THE AIRCRAFT STRUCTURE TO RESIST THE LOADS OF THE TABLE ASSEMBLY UNDER THE DESIGN LOAD FACTORS (SEE NOTE 4) IS THE RESPONSIBILITY OF THE INSTALLER
- B. COMPLIANCE WITH APPLICABLE FEDERAL AVIATION REGULATIONS REGARDING AISLE CLEARANCE REQUIREMENTS IS THE RESPONSIBILITY OF THE INSTALLER.

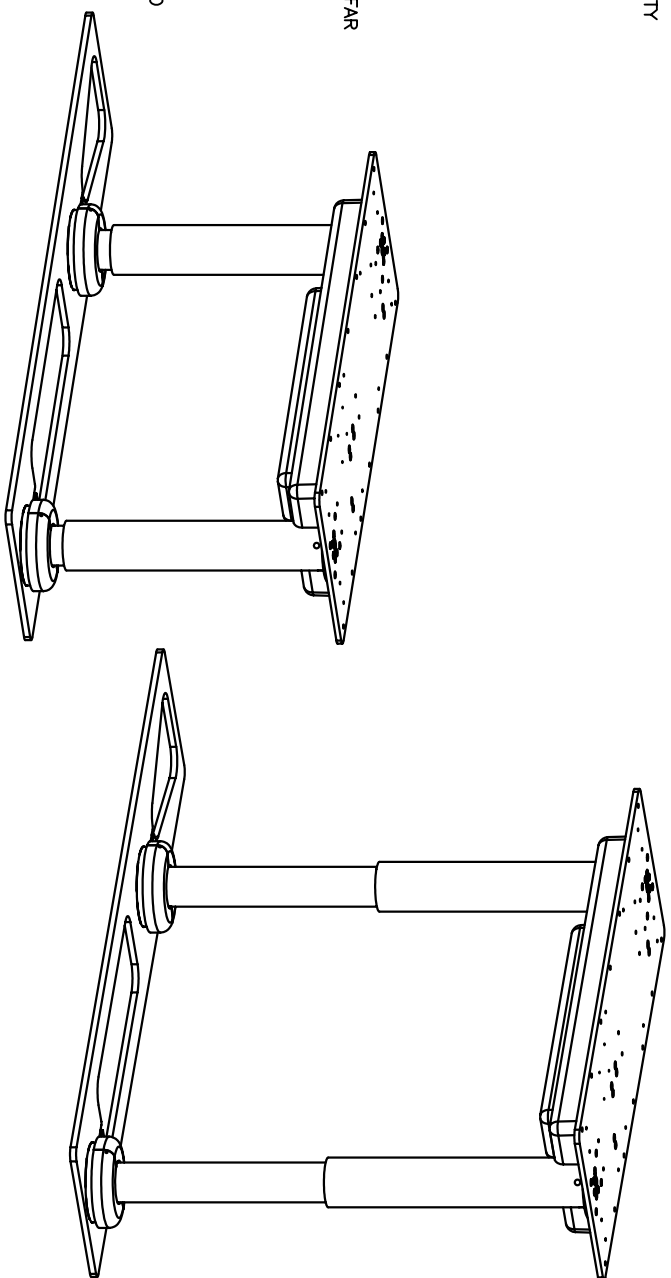
5. DESIGN LOAD FACTORS.

- A. THE FOLLOWING LOAD FACTORS WERE USED IN CONSIDERING THE STRUCTURAL INTEGRITY OF THE PEDESTAL:
 - FORWARD 9.00 G
 - AFT: 1.50 G
 - LATERAL: 3.00 G
 - UP: 6.50 G
 - DOWN: 10.00 G
- THESE LOAD FACTORS MEET OR EXCEED THE REQUIREMENTS OF FAR PART 25.561 AND BOEING GALLEY DESIGN LOADS.

6. POWER WIRE TERMINATES WITH BARE LEADS.
FOR WIRING HARNESS DIAGRAM:
SEE SCHEMATIC 70210 IF NO CIRCUIT BOARD IS USED.
SEE SCHEMATIC 70215 IF A CIRCUIT BOARD IS USED.

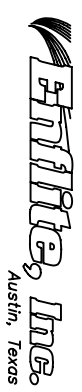
7 IF PEDESTALS ARE REMOVED FROM BASE PLATE, DO NOT ALLOW LOWER LEGS TO ROTATE. SECURE THEM WITH TAPE OR STRAPS PRIOR TO REMOVAL. IF ALLOWED TO ROTATE, WIRE HARNESS WILL BE DAMAGED AND LEAD SCREWS WILL LOSE TIMING.

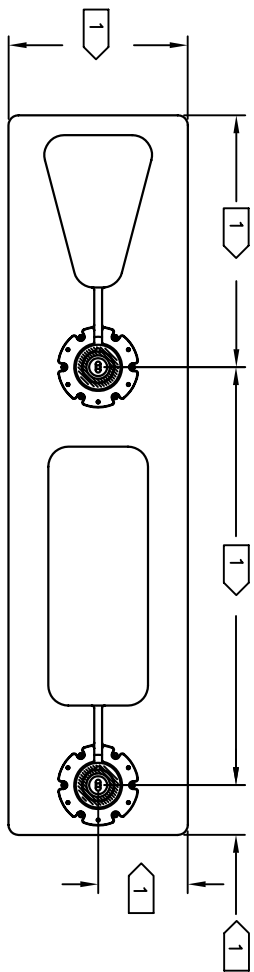
8. INSTALLATION OF BEAUTY RINGS: AFTER CARPET IS IN PLACE, MATE 2 HALVES TOGETHER AROUND EACH LEG. LOOK IN PLACE WITH 6-32 SET SCREWS.



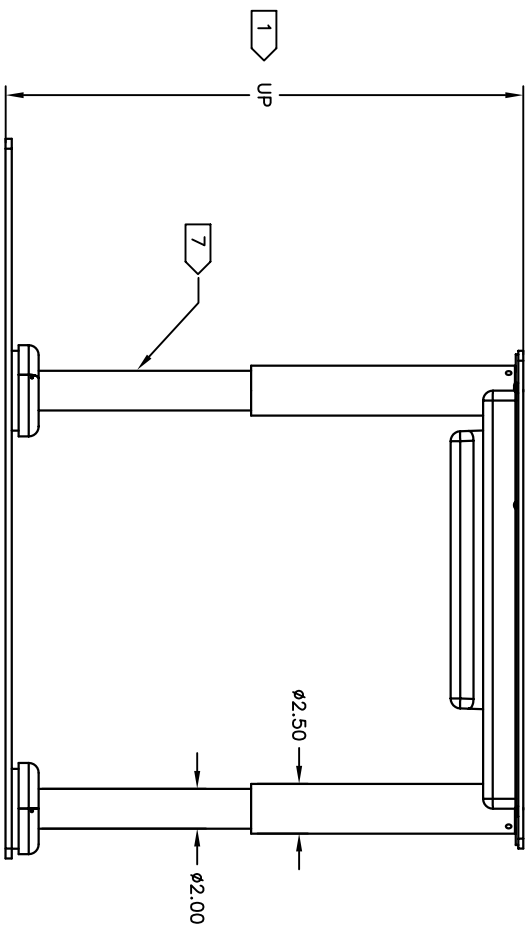
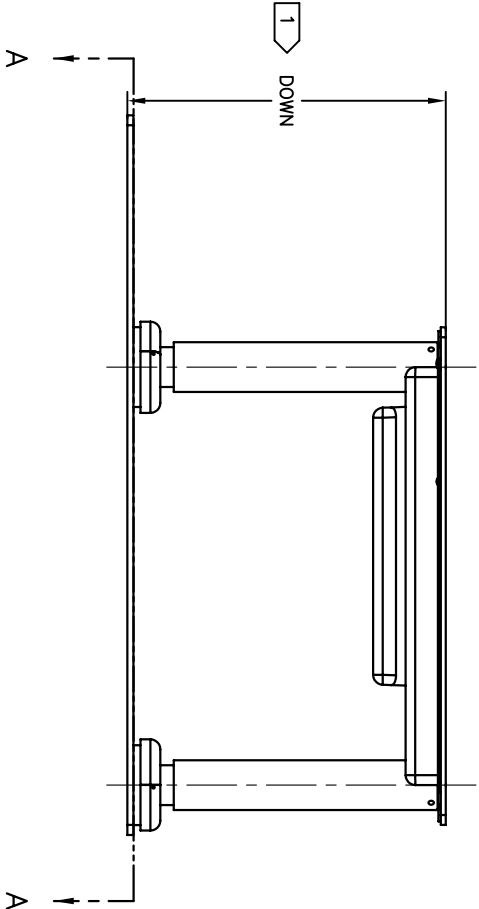
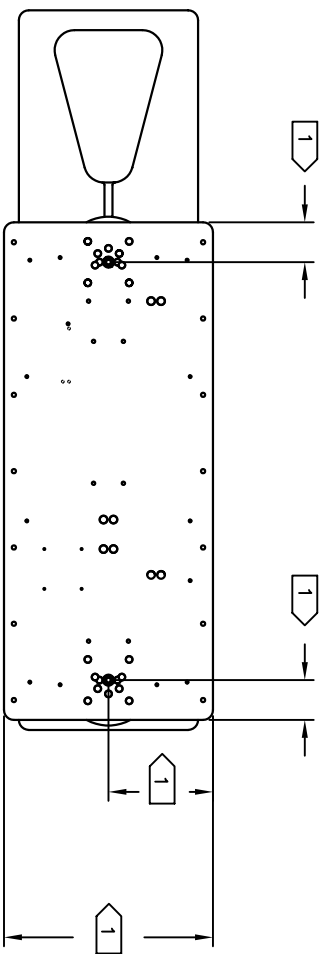
REVISIONS		DESCRIPTION	REV BY	APPROVED	DATE
A	INITIAL RELEASE	KPE	KPW	02/06/2004	
B	SEE ECO N70222B	EPW	JMS	02/02/2007	

DRAWN KPE 5/01/03		TITLE POWER 2" DUAL LEG PEDESTAL	
FINISH: N/A		SIZE A	
MATERIAL: N/A		DWG NO. N70222	
INSPECTION CLASS C		CAD TITLE 70222-XX-H-B	
UNLESS OTHERWISE SPECIFIED DECIMAL .XX ± .01 XXX ± .005		SHEET 1 OF 2	
ANGULAR ± 1°		REV. B	
DIMENSIONS ARE IN INCHES ALL MACHINED SURFACES DO NOT SCALE DRAWING REMOVE ALL BURRS & SHARP EDGES .010-.015		The data, concepts or designs contained herein are the exclusive property of Entitec, Inc. and shall not be used, disseminated, copied, duplicated or reproduced without the written consent of Entitec, Inc.	





SECTION A-A



SIZE	DWG NO.	REV.
A	N70222	B
SCALE NONE	CAD FILE 70222-XX-H-B	SHEET 2 OF 2