

NOTES:

- 1 REFER TO THE TOP LEVEL "ERP" BILL OF MATERIALS FOR ACTUAL TOP AND BOTTOM PLATE PART NUMBERS. SUPPLY COPY OF THE "ERP" BILL OF MATERIALS AND DRAWINGS OF REQUIRED TOP AND BOTTOM PLATES WITH THIS DOCUMENT. USE THE DRAWINGS TO DEFINE ACTUAL TABLE DIMENSIONS FOR INSTALLATION.

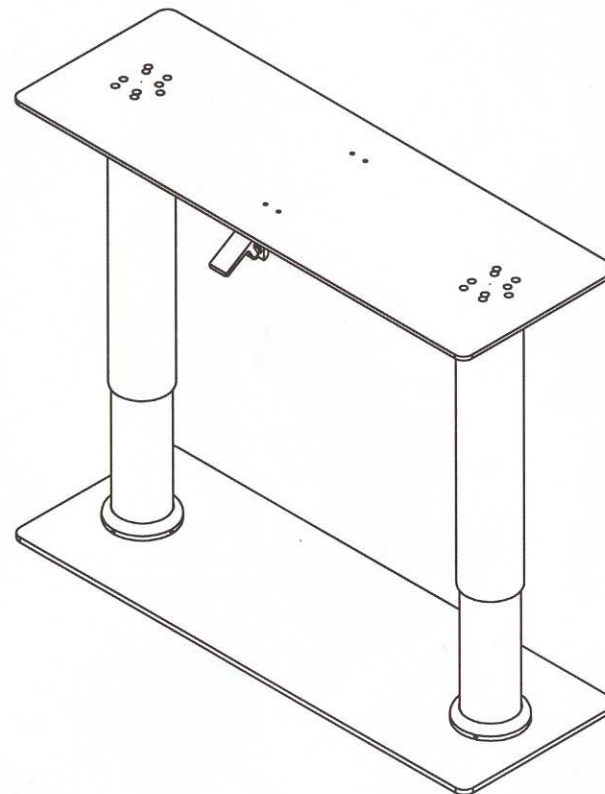
- 2 ATTACHMENT OF MODEL 72221 (PEDESTAL) TO THE TABLE TOP
 - A THE WEIGHT OF THE TABLETOP MUST NOT EXCEED 80 LBS.
 - B THE CENTER OF GRAVITY OF THE TABLETOP MUST BE WITHIN 5 INCHES OF THE CENTERLINE OF THE PEDESTAL.
 - C THE TABLETOP MUST BE FASTENED TO THE PEDESTAL WITH A MINIMUM OF FOUR MS27039-1-XX SCREWS (OR EQUIV) IN THE HATCHED AREA SHOWN IN THE TOP VIEW. ADDITIONAL SCREWS OUTSIDE THE HATCHED AREA MAY IMPROVE RIGIDITY.
 - D THE COMPLIANCE OF THE TABLETOP TO FEDERAL AVIATION REGULATIONS IS THE RESPONSIBILITY OF THE INSTALLER.


- 3 ATTACHMENT OF MODEL 72221 (PEDESTAL) TO AIRCRAFT STRUCTURE
 - A THE PEDESTAL/TABLE TOP ASSEMBLY MUST BE FASTENED TO THE AIRCRAFT STRUCTURE WITH FOUR (MINIMUM) NAS517-3 SCREWS (OR EQUIV) WITHIN THE HATCHED AREA SHOWN IN SECTION A-A. ADDITIONAL SCREWS OUTSIDE THE HATCHED AREA MAY IMPROVE RIGIDITY.
 - B THE ABILITY OF THE AIRCRAFT STRUCTURE TO RESIST THE LOADS OF THE PEDESTAL/TABLETOP ASSEMBLY UNDER THE DESIGN LOAD FACTORS (SEE NOTE 4) IS THE RESPONSIBILITY OF THE INSTALLER.
 - C COMPLIANCE TO APPLICABLE FEDERAL AVIATION REGULATIONS REGARDING AISLE CLEARANCE REQUIREMENTS IS THE RESPONSIBILITY OF THE INSTALLER.

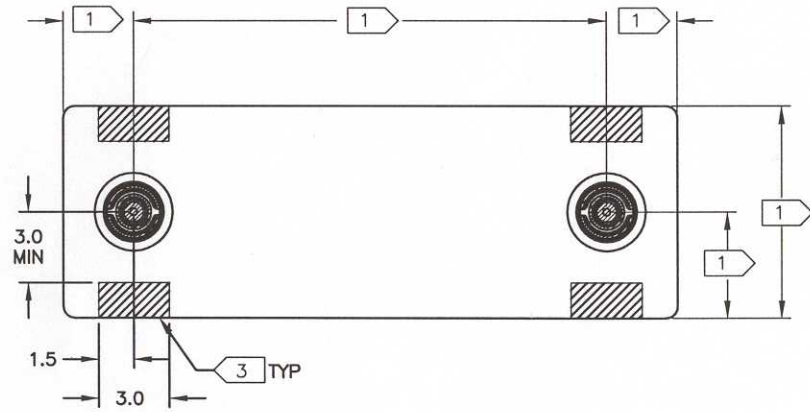
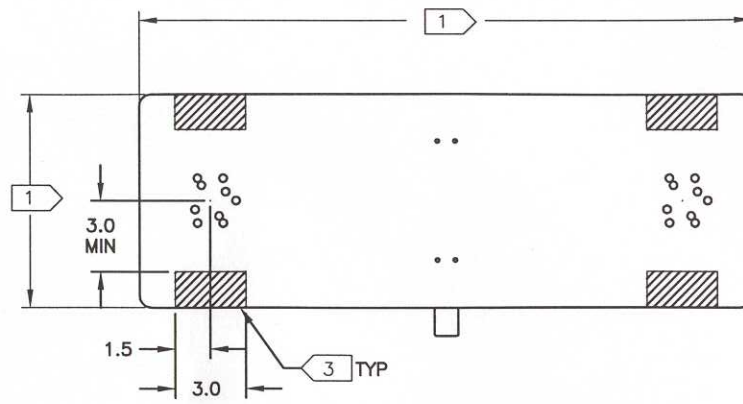
- 4 DESIGN LOAD FACTORS
 - A THE FOLLOWING LOAD FACTORS WERE USED IN CONSIDERING THE STRUCTURAL INTEGRITY OF THE PEDESTAL:
 - FORWARD: 9.0 G
 - SIDE: 3.0 G
 - UP: 6.50 G
 - DOWN: 9.60 G

THESE LOAD FACTORS MEET OR EXCEED THE REQUIREMENTS OF FAR PART 25.561. SEE STRESS REPORT R72221.
 - B FOR TABLETOPS OVER 45 LBS :
TABLE MUST BE IN THE DOWN POSITION FOR TAKE-OFF AND LANDING AND MUST BE PLACARDED AS SUCH.
 - C THE WEIGHT OF THE PEDISTAL WITH OUT TABLE TOP, TOP PLATE OR BOTTOM PLATE IS APPROX 14 LBS. REFER TO TOP AND BOTTOM PLATE DRAWINGS TO DETERMINE THE WIEGHT OF THE PEDISTAL ASSEMBLY.
 - D THE COMBINED WEIGHT OF THE TABLETOP AND ALL ITEMS PLACED ON THE TABLETOP MUST NOT EXCEED 229 LBS.

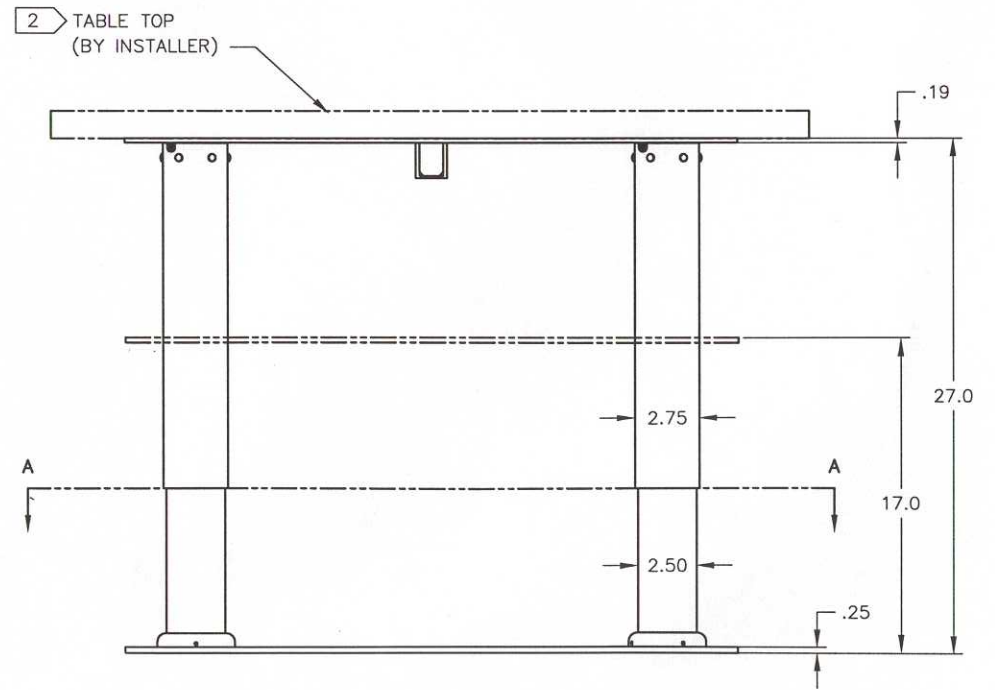
| REVISIONS | | | | |
|-----------|-----------------|--------|------------|----------|
| LTR | DESCRIPTION | REV BY | APPROVED | DATE |
| A | INITIAL RELEASE | DP | KET | 4/2/01 |
| B | SEE ECO N72221B | DP | KET | 5/23/01 |
| C | SEE ECO N72221C | DP | KET | 05/23/01 |
| D | SEE ECO N72221D | RAB | <i>KET</i> | 9/17/01 |



| | | | | | | | | | | | |
|--|---------------------------------------|--|----------------------------|-----------|------|--|-------------|--|--|-----------------------------|--|
| <p style="font-size: 2em; color: blue;">Released</p> <p>INSPECTION CLASS A</p> | <p>DRAWN</p> <p>D. PRIOR 12/26/00</p> |  <p>Austin, Texas</p> | | | | | | | | | |
| | <p>FINISH:</p> <p>N/A</p> | | | | | | | | | | |
| <p>UNLESS OTHERWISE SPECIFIED TOLERANCES:</p> <table style="width: 100%; border: none;"> <tr> <td style="width: 33%;">DECIMAL</td> <td style="width: 33%;">ANGULAR</td> <td style="width: 33%;"></td> </tr> <tr> <td>.XX ± .01</td> <td>± 1'</td> <td></td> </tr> <tr> <td>.XXX ± .005</td> <td></td> <td></td> </tr> </table> <p>DIMENSIONS ARE IN INCHES</p> <p>ALL MACHINED SURFACES AS</p> <p>DO NOT SCALE DRAWING</p> <p>REMOVE ALL BURRS & SHARP EDGES .010-.015</p> | DECIMAL | ANGULAR | | .XX ± .01 | ± 1' | | .XXX ± .005 | | | <p>MATERIAL:</p> <p>N/A</p> | <p>TITLE</p> <p>INSTALLATION, 72121, 72221 2.5" LEG, HI/LO MANUAL, DUAL PEDESTAL TABLE</p> |
| DECIMAL | ANGULAR | | | | | | | | | | |
| .XX ± .01 | ± 1' | | | | | | | | | | |
| .XXX ± .005 | | | | | | | | | | | |
| <p>SCALE</p> <p>NONE</p> | <p>SIZE</p> <p>A</p> | <p>DWG NO.</p> <p>N72221</p> | <p>REV.</p> <p>D</p> | | | | | | | | |
| <p>SCALE</p> <p>NONE</p> | | <p>CAD FILE</p> <p>72221-XX-D-D</p> | <p>SHEET</p> <p>1 OF 2</p> | | | | | | | | |



SECTION A-A



| | | |
|---------------|--------------------------|--------------|
| SIZE A | DWG NO. N72221 | REV. D |
| SCALE NONE | CAD FILE 72221-XX-D-D | SHEET 2 OF 2 |